

Handbook
Manual de instrucciones

Mod. P-23

CO₂ PISTOL

Precision airguns

DANGER: *Read this manual and the warnings and safety procedures pamphlet prior to handling this product.*

ATENCIÓN: *Lea atentamente este manual y todas las instrucciones de seguridad antes de manipular esta pistola.*



Industrias El Gamo, S.A. reserves the right to modify specifications without prior notice.
Industrias El Gamo, S.A. se reserva el derecho de modificar las especificaciones sin previo aviso.

INTRODUCTION

Before you use your new GAMO P-23 CO₂ PISTOL you must read and understand the following safety rules:

WARNING: This is not a toy. Failure to follow the safety rules outlined below can result in serious bodily injury or death.

CAUTION: This product is not recommended for unsupervised use by those under 16 years of age.

CAUTION: This product is designed to handle and function like a pistol. Do not carry or use this product in any situation where it might be mistaken for a firearm.

SAFETY RULES

Anytime you handle a GAMO CO2 Pistol, make sure the safety is «ON» and there is no ammunition in the chamber.

- 1. ALWAYS USE EYE PROTECTION.**
- 2. ALWAYS USE HEARING PROTECTION.**
- 3. Air guns are not toys. They should only be used under adult supervision. Safety is a straightforward but continuous process. THE UNSUPERVISED USE OF AIR GUNS IS NOT RECOMMENDED FOR PERSONS UNDER 16 YEARS OF AGE.**
- 4. Think first, fire second.**
- 5. Always point the gun in a safe direction. NEVER POINT YOUR AIR GUN AT PEOPLE OR ANIMALS EVEN IF IT IS NOT LOADED.**
- 6. Always keep your fingers away from the trigger during cocking and handling. Keep your finger away from the trigger until you are ready to fire.**
- 7. Always be certain of what is behind your target. Make sure your target does not conceal a person or some object which could be harmed by the pellets.**
- 8. Do not fire at a target which allows ricochets or deflections. Do not fire into or at water.**

9. Never use drugs or alcohol while handling this product.
10. Never reuse pellets.
11. The air gun and pellets should be kept in separate places, if possible under lock and key.
12. After use and before putting the air gun away, always make absolutely sure that there are no pellets in the chamber.
13. Do not load the air gun until you are ready to fire. Do not walk, run or jump when carrying a loaded air gun. A loaded air gun should never be carried inside a vehicle. Always keep the safety ON, even when the air gun is unloaded.
14. Do not tamper with or modify any part of your air gun. If a malfunction should occur, consult a professional gunsmith. Do not attempt to repair your air gun, since special tools are needed and this could be dangerous.
15. ALWAYS KEEP THE AIR GUN AND/OR PELLETS OUT OF THE REACH OF CHILDREN.

OPERATION OF THE SAFETY

WARNING: There is no substitute for muzzle control. Never rely on any mechanical safety. Always point the gun in a safe direction.

This pistol comes furnished with a manual safety which locks the trigger. This lock is a lever located on the left front side of the barrel (see fig. A). The safety is locked when the lever is in rear position and the letter “S” on the barrel is visible. To unlock the trigger swing the lever to the forward position exposing a red dot and the letter “F”.



WARNING: Always put the safety “ON” when handling, carrying, loading or unloading the air pistol.

CAUTION: Do not press the trigger while putting the safety “ON”.

LOADING

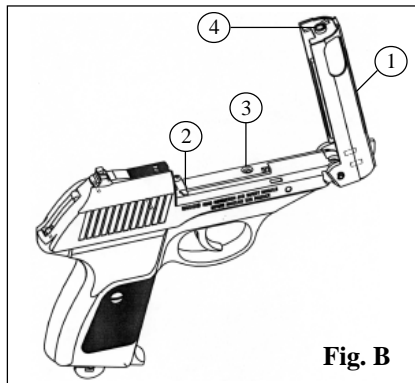


Fig. B

AUTOMATIC LOADING

This is a SEMIAUTOMATIC pistol with a repeating mechanism that can only be used with 4.5 mm or .177 caliber BBs.

WARNING: Before loading or firing your pistol for the first time, pass a cleaning rod through the bore to make sure it is free of obstructions.

To load the pistol, first make sure the safety is ON. To use the semiautomatic loader, follow these steps (see fig. B):

- a. Slide the catch on the upper left side of the barrel forward and open the frame (1).
- b. Slide the red lever of the magazine feeder pin (2) back until it catches in the slot.
- c. Insert up to 10 Gamo 4.5 mm or .177 caliber BBs by dropping them into the opening of the magazine (3).
- d. Gently release the lever of the feeder pin (2).
- e. Close the upper frame of the pistol (1), making sure it locks into place.

WARNING: Do not release the locking mechanism of the frame once the air pistol has been cocked. This is dangerous and can lead to injury.

WARNING: Each time the pistol is to be put away after use, please ensure that the last round has been fired, that the magazine is completely empty, and that the air pistol is not longer cocked. This will prevent the possibility of accidents occurring when the air pistol is used again.

SINGLE SHOT LOADING

The P-23 air pistol also has the option for single shot use of Diabolo 4.5 mm or .177 caliber pellets.

WARNING: Please ensure that the magazine for automatic loading is empty before using the single shot feature.

WARNING: Before loading or firing your pistol for the first time, pass a cleaning rod through the bore to make sure it is free of obstructions.

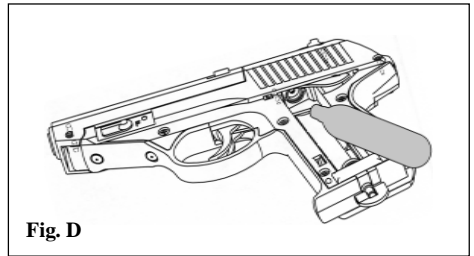
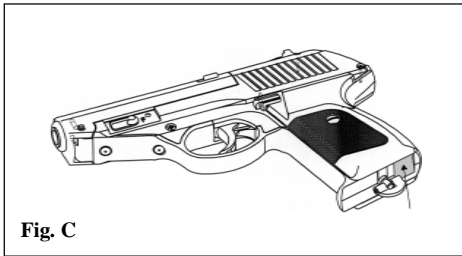
To use the single shot feature, make sure the safety is “ON” and perform the following steps (see fig B):

- a. Slide the catch on the upper left side of the barrel forward and open the frame (1).
- b. Place one pellet in the opening of the barrel (4) with the skirt toward you.
- c. Close the upper frame of the pistol (1), making sure it locks into place.

WARNING: Remember that the gun is loaded and the pellet is in position to fire.

WARNING: Each time the air pistol is to be put away after use, please ensure that the last round has been fired, that the magazine is completely empty, and that the air pistol is not longer cocked. This will prevent the possibility of accidents occurring when the air pistol is used again.

INSERTION OF THE CO₂ CYLINDER



WARNING: Make sure your pistol is unloaded before removing or inserting the CO₂ cylinder to avoid accidental discharge and injury.

WARNING: Always wear protective glasses when handling the gas cylinder or eye injuries may result.

WARNING: Do not remove the gas cylinder until it is empty or an explosion may result.

With the safety “ON” and the pistol unloaded, slowly unscrew the cylinder retaining screw at the base of the pistol grip, allowing any remaining pressure to be released. To remove the empty cylinder, pry the left grip loose using your thumb in the slot at the base of the grip (see fig. C). The empty cylinder will then fall out. To insert a new cylinder of gas, be certain that the safety is “ON” and the pistol is unloaded. Place a new cylinder in the empty pistol grip with the tip of the cylinder pointing up toward the hammer (see fig. D).

WARNING: Inserting the gas cylinder with the tip pointing toward the base of the pistol grip may result in explosion and injury.

Replace the left pistol grip by inserting the tabs in the top of the grip into the notches on the side of the pistol and snapping it into place. Tighten the cylinder retaining screw by turning it clockwise until it stops. Once the gas cylinder tip is pierced, the pistol is ready to load and fire.

DANGER: Keep the CO₂ cylinder away from heat and flames. Temperatures over 50° (120°F) will result in explosion and injury. Never throw a CO₂ cylinder into a fire.

FIRING

This is a double-action pistol. To fire your pistol, aim at your target, release the safety, and gently squeeze the trigger.

CAUTION: Be sure that the CO₂ cartridge is sufficiently charged with gas to propel BB or pellet out of the barrel. Do not wait until the CO₂ cartridge is completely out of gas; it should be changed every 60 shots, or when you notice the shots are firing at low pressure.

PROCEDURE FOR CLEARING STUCK AMMUNITION

Occasionally, due to low gas pressure, a pellet or BB may become lodged inside the barrel. It is also possible for a jam to occur within the chamber of the magazine. Prior to removing any obstruction, be sure that the safety is “ON”. Slowly unscrew the cylinder retaining screw at the base of the pistol grip, allowing any remaining pressure to be released. To remove the empty cylinder, pry the right grip loose using your thumb in the slot at the base of the grip (see fig. C). The empty cylinder will then fall out.

CAUTION: Be sure that safety is “ON” and the CO₂ cartridge has been removed prior to clearing an obstruction.

1. **OBSTRUCTION IN BARREL.** Break the barrel down the same as in loading, and insert a cleaning rod of the appropriate caliber for your pistol (4,5 mm. or .177) into the opening of the barrel. Push the rod through the barrel until the pellet is free. When you are finished, clean the barrel with the brush attachment of the cleaning rod to remove any lead particles that may be adhered to the rifling.
2. **OBSTRUCTION IN CHAMBER.** Remove the obstruction from the chamber by using a large needle or similar object to pry it out.
3. **OBSTRUCTION IN MAGAZINE.** Slide the red lever of the magazine feeder pin back until it catches in the slot. If possible, shake the obstruction free of the magazine. If this does not clear the magazine, insert a large needle or similar object in the longitudinal groove to push the obstruction out.

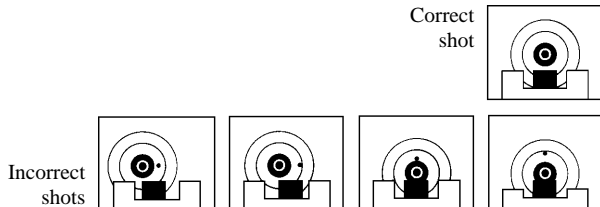
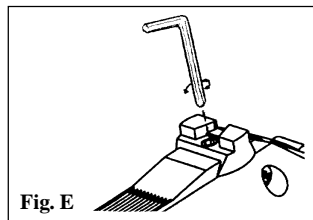
To prepare the pistol for use, refer to the INSERTION OF THE CO₂ CYLINDER section.

NOTE: Always discard defective or deformed ammunition.

WARNING: Each time the air pistol is to be put away after use, please ensure that the last round has been fired, that the magazine is completely empty, and that the air pistol is not longer cocked. This will prevent the possibility of accidents occurring when the air pistol is used again.

SIGHT PICTURE AND ADJUSTMENT

Your GAMO PISTOL has a rear sight which is adjustable for windage (right-left). The sights are “open” sights. The rear sight is a notch. The front sight is a post. The sight picture should look like this:



If your shots hit to the left of the target, adjust the sight to the right.
If your shots hit to the right of the target, adjust the sight to the left.
To adjust the sight, loosen the adjustment screw on the top of the rear sight (see fig. E).
Once the sight has been adjusted, fix the sight into place by tightening the adjustment screw.

STORAGE

WARNING: Airguns should be stored in such a manner as to protect against unauthorized use by children.

WARNING: These products are designed to look, handle and function like pistols. These products should be stored in such a manner to protect against theft and subsequent misuse.

You should never store your Gamo pistol unless it has been cleaned and given a light coat of oil. Always store your Gamo pistol in a clean dry place. It is recommended that you store this product in a protective box or case with appropriate anti-corrosion materials. A local gun shop can advise you on appropriate products available in your area.

CAUTION: When storing your pistol, always make sure it is unloaded and the safety in “ON”.

CLEANING

WARNING: Make certain the pistol is unloaded and the safety in “ON” before cleaning.

Use a 4,5 mm or .177 caliber cleaning rod, rod tip, patches, and bore brush with gun solvent and oil to clean your pistol. Insert the cleaning rod with cleaning attachments from the muzzle. It is helpful if you occasionally apply special airgun oil to the metal parts of the airgun.