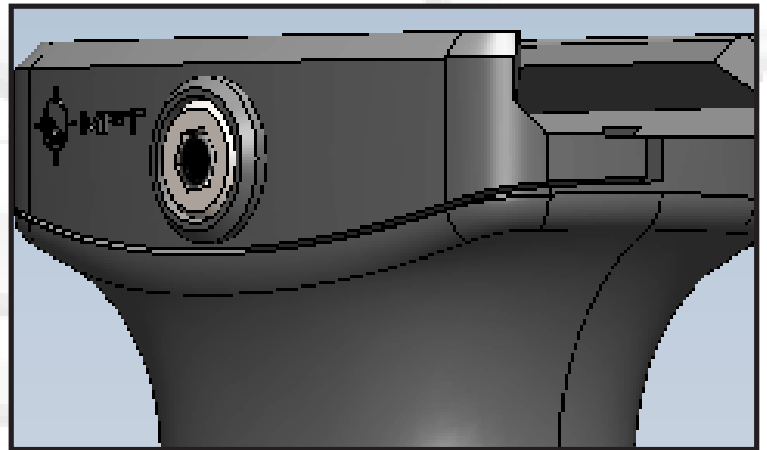


Installation Instructions for RSG Grip

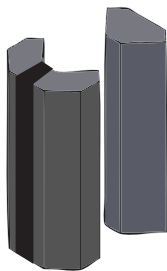
BEFORE INSTALLATION, MAKE SURE THE WEAPON IS UNLOADED AND THE SAFETY ENGAGED.

- 1** Remove screw and clamp from grip.
- 2** Place grip at desired location on rail and attach clamp and screw making sure screw sits in slot on rail.
- 3** Tighten screw so that grip is firmly attached to rail. Do not over tighten screw as this may damage grip. Ensure screw is flush

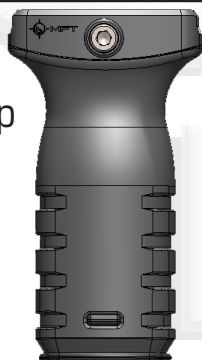


RSG

Foam Insert
w/Lanyard



Grip



Watertight
Plug



BASE COMPONENTS

780 HAUNTED LANE
BENSALEM, PA 19020
TEL 267-803-1517
FAX 267-803-1002
INFO@MISSIONFIRSTTACTICAL.COM



MADE IN
USA

LIFETIME WARRANTY

⚠ WARNING: OBSERVE SAFE FIREARM HANDLING PRACTICES AT ALL TIMES. FAILURE TO DO SO MAY RESULT IN BODILY INJURY OR DEATH

Mission First Tactical shall not be responsible for injury, death or damage to property resulting from improper installation, misuse or illegal use of this product.