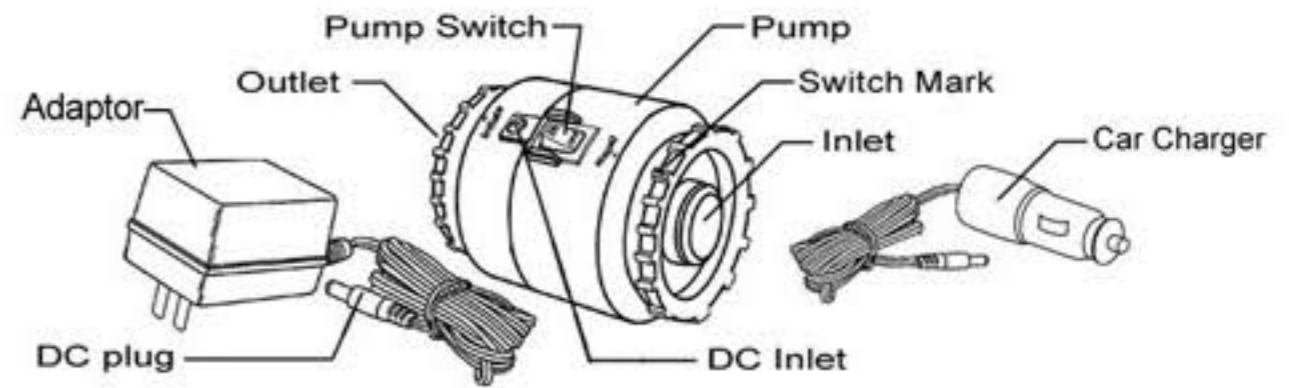


BROWNING®

with built-in rechargeable pump

This product may be covered under one or more of the following U.S. and / or foreign patents: U.S. Pat. Nos. : 2,425,162; 2,610,119; 5,827,052; 6,004,116; 6,120,264; 6,332,760 B1; 6,457,192; 6,581,223; 6,679,686 B2; 6,722,306 B1; 6,754,925 B1; 6,754,926 B2; 6,763,540; 6,793,469; 6,990,700 B2; 7,020,921 B2; 7,040,347 B2; 7,114,207; 7,120,955; 7,152,265; 7,246,394; 7,306,694; 7,313,837; 7,334,274; 7,346,950 B2; 7,365,277; 7,475,443; 7,597,123; 7,647,662; 7,739,760; 7,703,160; 7,739,763; 7,922,461 B2; 8,024,830 B2; 8,151,390; 8,214,953; RE42, 559 E; GB2378987; GB2396670; CN 221,800; ZL01129383 Others
U.S. and International Patents Pending



Pump must be charged for 12 hours prior to first use; Allow battery to fully discharge before each repeated charge, charge for 12 hours for each repeated charges.

CARE AND MAINTENANCE:

For better protection of this product, never unfold or inflate the airbed in temperatures below freezing, avoid extensive sun exposure and protect from contact with sharp objects and rough ground. Clean air beds only with mild soap and water.

NOTE:

Air bed material may stretch during first use and may need additional air to reach desired firmness. Air inside of bed may expand and contract with varying temperatures potentially leading to reduced pressure inside of bed.

REPAIRING:(Repair Patch Included)

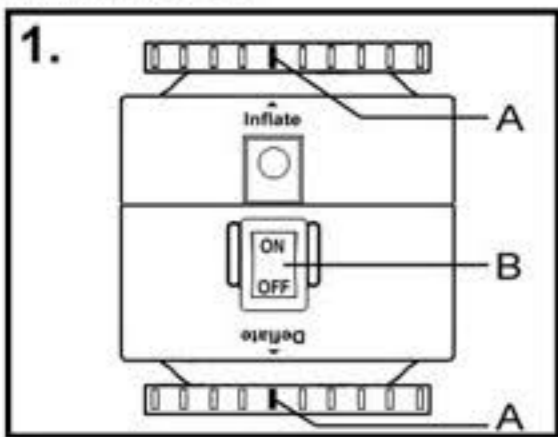
For small puncture holes, tears or cuts, cut and apply small PVC patch material (patch included) and apply patch. Allow at least four (4) hours for repair to set before attempting to inflate the air bed.

CAUTION:

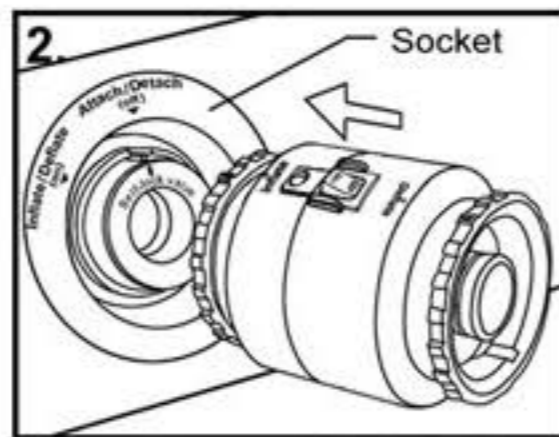
1. Charge only with the transformer provided with the pump.
2. Plug into 120V AC electrical outlet for charge.
3. Plug car charger into 6V car cigarette lighter socket for charge with car charger.
4. Do not charge the pump under temperature less than 41°F(5°C) or higher than 104°F(40°C)
5. Do not use under wet conditions.
6. Do not over inflate.
7. For proper pump usage, it is recommended not to exceed 10 minutes of inflation/deflation time, allow pump to cool off for 20 minutes
8. Do not use as a water float or as a life saving device.
9. To keep the battery at optimum operating condition, always store pump with a full charge, recharge the pump every one month even if it has not been used.
10. Never allow sand, small rocks or any objects to be sucked into the pump while operating.
11. Do not try to disassemble, repair or service the pump or separate parts, once the pump is disassembled the warranty will be invalid.

WARNING: Do not charge the pump for a duration longer than 96 hours (4 days) as it may destroy the pump.

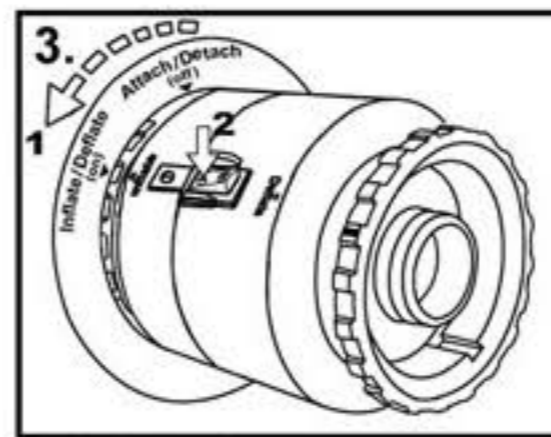
Inflation



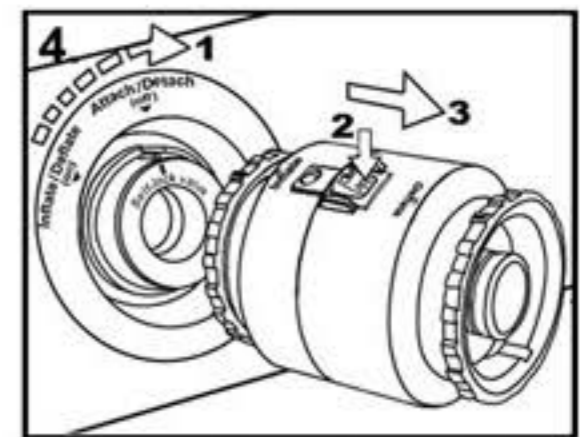
A: Switch Mark
B: Pump Switch



To attach pump for inflation, insert pump to pump socket by aligning the "Inflate" arrow on pump with "Attach/Detach" position on socket until you hear a click.

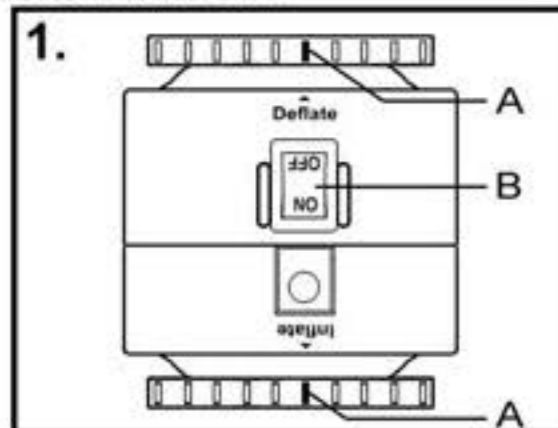


To inflate, first open valve by turning pump counter-clockwise to align "Switch Mark" on pump with "Inflate/Deflate" arrow on pump socket. To turn on pump, turn pump switch to "On," your pump will start inflating.

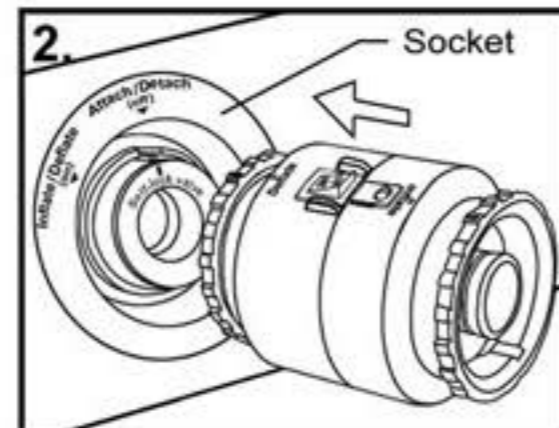


Upon reaching desired firmness, close valve by turning pump clockwise to align "Switch Mark" on pump with "Attach/Detach" position on pump socket. Then turn off pump by turning pump switch to "Off" and detach pump from socket for storage.

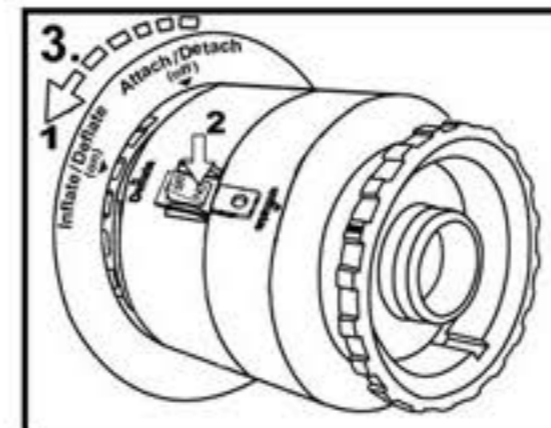
Deflation



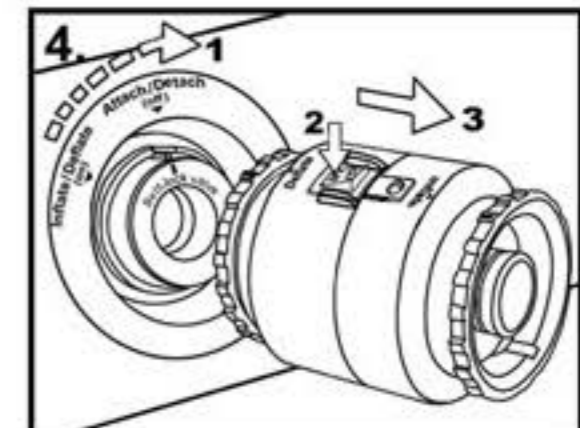
A: Switch Mark
B: Pump Switch



To attach pump for deflation, insert pump to pump socket by aligning the "Deflate" arrow on pump with "Attach/Detach" position on socket until you hear a click.



To deflate, first open valve by turning pump counter-clockwise to align "Switch Mark" on pump with "Inflate/Deflate" arrow on pump socket. To turn on pump, turn pump switch to "On," your pump will start deflating.



Upon complete deflation, close valve by turning pump clockwise to align "Switch Mark" on pump with "Attach/Detach" position on pump socket. Then turn off pump by turning pump switch to "Off" and detach pump from socket for storage.