

# TRIGGER INSTALLATION INSTRUCTIONS

# REMINGTON 700/7

Before beginning work on any firearm, remove the ammunition source and double check to insure the chamber is empty.



Timney offers Remington 700 triggers with and without a safety in both left and right hand.

These instructions apply to all Timney, Remington 700 triggers.

STEP 1: Remove the bolt from the action and the action from the stock.

STEP 2: Move safety lever to the *safe* position and then tap the front trigger pin left to right far enough to free the trigger assembly. Tap the rear pin from right to left far enough to free the trigger assembly but not so far as to release the bolt stop and bolt stop spring. (DIAGRAM A)

STEP 3: Insert the Timney Trigger and tap the front pin from right to left but not so far that it presses against the bolt stop. You should be able to depress the bolt release and the bolt stop should move freely. Disregard for Model 7.

STEP 4: Tap the rear pin from left to right until it is flush with the bolt release. (DIAGRAM C) If the bolt stop and spring come out during installation, note in DIAGRAM B how both fit together. One spring end hooks in the trigger recess, the other on the bottom of the bolt stop.

STEP 5: Adjust the bolt release so it moves the bolt stop without any binding. Do this by very slightly bending the tip with needle nose pliers so it perfectly engages the notch in the bolt stop. Bend and test. This may take several tries before you get it right. (DIAGRAM E & D). Disregard for Model 7.

STEP 6: Install action in stock, install bolt in action and check trigger function.

NOTE: Timney Triggers are slightly wider than Remington factory triggers. You may need to enlarge the opening on the trigger guard where the trigger protrudes from the stock.

## TRIGGER ADJUSTMENT

The screw on the rear of the trigger adjusts sear engagement. This screw is pre-set and should not be adjusted below this setting. The bottom front screw adjusts pull weight. Turning this screw in increases pull weight. Turning it out decreases pull weight. Do not reduce pull weight below 1.5 pounds or [8 oz for the Calvin Elite Series.]

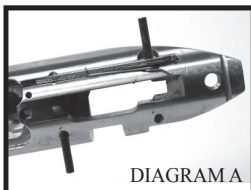


DIAGRAM A

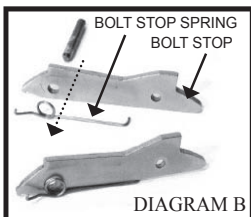


DIAGRAM B

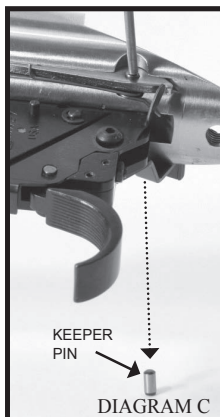


DIAGRAM C

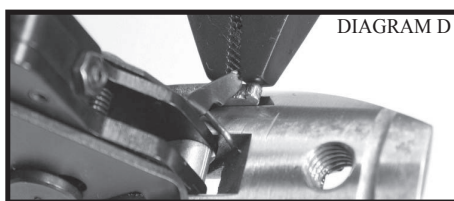


DIAGRAM D

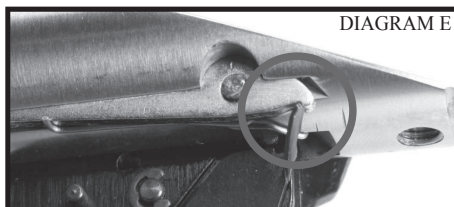


DIAGRAM E

*Note: For REM 700 only!*

SEE REVERSE FOR SAFETY INSTALLATION INSTRUCTIONS

**If your Timney Trigger comes without a safety, you will need to install the factory safety on your Timney Trigger.**

STEP 1: Remove the keeper on the pin that holds safety on the trigger assembly. (DIAGRAM A)

NOTE: Behind the safety lever there is a small ball bearing the lever pivots on. Be careful during disassembly not to loose this bearing. (DIAGRAM C)

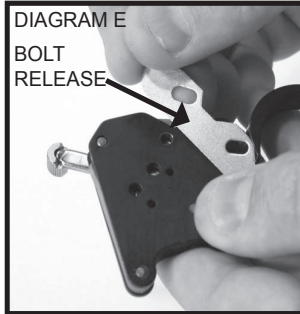
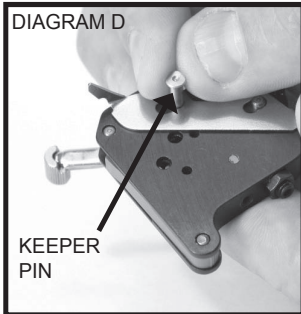
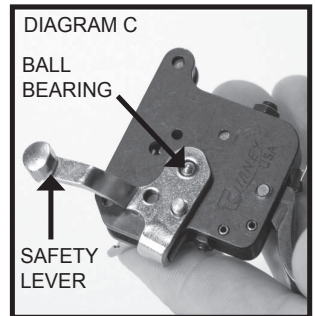
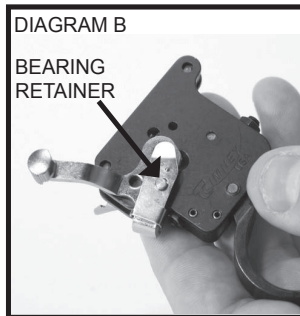
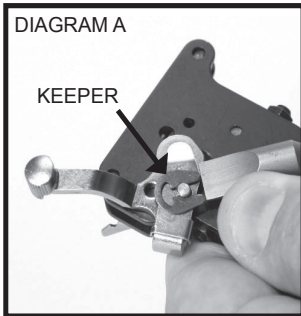
STEP 2: Lift the ball bearing retainer from the pin and safety lever. (DIAGRAM B)

STEP 3: Remove the ball bearing and safety lever. (DIAGRAM C)

STEP 4: Remove the keeper pin. (DIAGRAM D)

STEP 5: Remove the bolt release. (Diagram E)

STEP 6: Install the factory safety on the Timney Trigger in the reverse order. Installation complete, the Timney Trigger with factory Remington safety should appear as in DIAGRAM F.



**TIMNEY TRIGGER GUARANTEE**

Material and workmanship: This TIMNEY trigger has been carefully inspected, tested and adjusted to give a lifetime of dependable service. Every possible care has been exercised in its design and construction. If any defect in workmanship or material should develop under conditions of normal use and service, necessary repairs, including parts and labor will be made at no charge to the purchaser, providing that our inspection reveals parts were not damaged through accident, alteration, misuse, abuse or other causes beyond our control. We neither assume nor imply any oral or statutory warranties, and we neither assume nor authorize any person to assume us for any obligation or liability in connection with this trigger. Repairs or disassembly of this trigger in any manner, without specific authorization, voids the guarantee.

TIMNEY TRIGGERS 2020 W. QUAIL AVENUE • PHOENIX, AZ 85027

**www.timneytriggers.com**  
**Voice 623-223-1111**

**service@timneyusa.com**  
**Fax 623-223-1112**