
User's guide for:

MUZZLELOADING FIREARMS

CHIAPPA
firearms

Official Sponsor



**ATTENTION: BEFORE REMOVING THE FIREARM FROM ITS PACKAGE
READ & UNDERSTAND WARNINGS AND FULL INSTRUCTIONS AND
PRECAUTIONS IN THIS OWNER'S MANUAL**

CHIAPPA FIREARMS

Chiappa Firearms is the brand new trade mark representing the arms manufacturers group of the Chiappa's Family (founders of Armi Sport in far 1958) that reunite two brands leaders in their fields:

ARMI SPORT: Producing perfectly working replicas of muzzle loading and breech loading firearms, with a complete and appreciated product line from American Independence War models to the mythical Lever Action rifles of epic Western era.

KIMAR: Producing blank firing and signal pistol, air guns and defence guns.

The two brands attend the international markets from many years, especially Armi Sport that is knew by most exigent shooters, collectors and by the most important shooting and historical associations from all over the world, for the reliability, the safety, the fidelity to the original models, the artisan finishing accuracy and the optimum quality price report of all their models.

From the beginning of 2007 the Group gave an official mark to the own presence on the American market founding the CHIAPPA FIREARMS Ltd, with a convenient location in Dayton (Ohio) can provide better assistance to the distributors of Armi Sport and Kimar products throughout the USA .

So CHIAPPA FIREARMS will be the brand new logo for the distribution and the guarantee protection of Armi Sport and Kimar products in the world and it'll warrant the flexibility production and the research applied to the technical resource that have permitted in the last years the constant and continuing expansion of the group.

Chiappa Firearms is the arms manufacturers group that include the brand

INDEX

<i>Warnings</i>	4
<i>The fundamentals of safe gun handling are</i>	5
<i>Muzzle loading models</i>	8
<i>Pistols and rifles parts nomenclature</i>	10
<i>Muzzle loading firearms instruction of use</i>	12
<i>Precautions</i>	12
<i>Percussion firearms loading</i>	12
<i>Flintlock firearms loading</i>	13
<i>“Stecher” system</i>	14
<i>Disassembly and cleaning</i>	14
<i>Ordinary cleaning</i>	16
<i>Extraordinary cleaning</i>	16
<i>Rear sight and front sight regulation</i>	17
<i>Marking</i>	17
<i>Ordinary and extraordinary maintenance</i>	18
<i>Note on historical design</i>	19
<i>Reloading charts</i>	19
<i>Exploded views and component</i>	20
<i>Warranty</i>	58
<i>Warranty Card</i>	61
<i>OWSS Group</i>	63

WARNINGS

Armi Sport is not responsible for damage to objects caused by misuse of the gun or for injuries to person or animals, or in case of death, caused voluntarily or involuntarily by the gun user.

Armi Sport is not responsible for injuries caused by poor maintenance, misuse of the gun, unauthorized or improper modifications.

Armi Sport declines responsibility for the indirect consequences of any injuries and / or death of persons or animals, damage to objects caused by use of the gun or by primer explosion, by bullet's ricochet, or unsafe loading practices and or procedure.

The gun you own is an accurate 19th century replica. Consequently the safety devices on it are limited to the technological knowledge of the period. Therefore the risks in using a gun like this are higher compared to a modern gun design.

The complete and full knowledge of your firearm may help you to avoid serious injuries due to lack of safety devices.

Read the entire manual and learn the proper use of the gun without live ammunition. It is important that you understand the proper use of this product. The life of the people close to you may depend on your safety.

If the manual is not clear, please contact the dealer where you bought the gun or call the distributor or the manufacturer by using the contact information provided within this manual.

All the guns are tested in the Armi Sport facility. To guarantee the gun is safe, it is sent to the National Proof House of Gardone Val Trompia – BRESCIA – ITALY - for proof testing.

The Proof House test the firearm with heavy loads then checks the barrel, chamber and headspace to make certain the firearm is safe for use with standard factory ammunition.

The National Proof House will put their markings on the gun, according to

The Italian law, certifying the gun is qualified and can be sold.

THE COURT OF BRESCIA - ITALY, WILL SETTLE ALL DISPUTES.

The fundamentals of safe gun handling are:

1. **ALWAYS keep the gun pointed in a safe direction.**

This is the primary rule of gun safety. A safe direction means that the gun is pointed so that even if it were to go off it would not cause injury or damage. The key to this rule is to control where the muzzle or front end of the barrel is pointed at all times. Common sense dictates the safest direction, depending on different circumstances.

2. **ALWAYS keep your finger off the trigger until ready to shoot.**

When holding a gun, rest your finger on the trigger guard or along the side of the gun. Until you are actually ready to fire, do not touch the trigger.

3. **ALWAYS keep the gun unloaded until ready to use.**

Whenever you pick up a gun, immediately engage the safety device if possible, and, if the gun has a magazine, remove it before opening the action and looking into the chamber(s) which should be clear of ammunition. If you do not know how to open the action or inspect the chamber(s), leave the gun alone and get help from someone who does.

When using or storing a gun, always follow these rules:

Know your target and what is beyond.

Be absolutely sure you have identified your target beyond any doubt. Equally important, be aware of the area beyond your target. This means observing your prospective area of fire before you shoot. Never fire in a direction in which there are people or any other potential for mishap. Think first. Shoot second.

Know how to use the gun safely.

Before handling a gun, learn how it operates. Know its basic parts, how to safely open and close the action and remove any ammunition from the gun or magazine. Remember, a gun's mechanical safety device is never foolproof. Nothing can ever replace safe gun handling.

Be sure the gun is safe to operate.

Just like other tools, guns need regular maintenance to remain operable. Regular cleaning and proper storage are a part of the gun's general upkeep. If there is any question concerning a gun's ability to function, a knowledgeable gunsmith should look at it.

Use only the correct ammunition for your gun.

Only cartridges or shells designed for a particular gun can be fired safely in that gun. Most guns have the ammunition type stamped on the barrel. Ammunition can be identified by information printed on the box and sometimes stamped on the cartridge. Do not shoot the gun unless you know you have the proper ammunition.

Wear eye and ear protection as appropriate.

Guns are loud and the noise can cause hearing damage. They can also emit debris and hot gas that could cause eye injury. For these reasons, shooting glasses and hearing protectors should be worn by shooters and spectators.

Never use alcohol or over-the-counter, prescription or other drugs before or while shooting.

Alcohol, as well as any other substance likely to impair normal mental or physical bodily functions, must not be used before or while handling or shooting guns.

Store guns so they are not accessible to unauthorized persons.

Many factors must be considered when deciding where and how to store guns. A person's particular situation will be a major part of the consideration. Dozens of gun storage devices, as well as locking devices that attach directly to the gun, are available. However, mechanical locking devices, like the mechanical safeties built into guns, can fail and should not be used as a substitute for safe gun handling and the observance of all gun safety rules.

Be aware that certain types of guns and many shooting activities require additional safety precautions.

Cleaning

Regular cleaning is important in order for your gun to operate correctly and safely. Taking proper care of it will also maintain its value and extend its life. Your gun should be cleaned every time that it is used. A gun brought out of prolonged storage should also be cleaned before shooting. Accumulated moisture and dirt, or solidified grease and oil, can prevent the gun from operating properly.

Before cleaning your gun, make absolutely sure that it is unloaded. The gun's action should be open during the cleaning process. Also, be sure that no ammunition is present in the cleaning area.

Owner's Manual – MUZZLE LOADING FIREARMS

1. Read the instructions carefully before use.
2. Be aware that you are handling a firearm; therefore your knowledge and behaviour may affect your life and those of the people close to you.
3. Reading the manual and a careful examination of the gun are fundamental to avoid any kind of problem.
4. Guns and ammunitions must be kept in different places
5. **ALWAYS** keep guns and ammunitions out of reach of children.
6. Store the gun in a clean dry and airy place after use to avoid rust in mechanical parts that may cause serious problems in functioning after a period of inactivity.
7. After use it is always recommended to clean, oil and lubricate the gun with good quality oil.
8. The gun must **ALWAYS** be stored unloaded, **ALWAYS** check that the chamber is empty.
9. Being this firearm is a replica of original design, there is no modern safety. Pay great attention during transportation and use. Mechanical safety devices can fail. Developing intelligent, good safety habits is the best way to prevent accidents.
10. The only safety is the hammer half cock, read chapter on firearms use. REMEMBER: No mechanical safety device is infallible.
11. **ALWAYS** keep the gun unloaded when transporting it from home to the shooting areas. Carefully check that cartridge chamber is empty.
12. Keep away from open flame or heating sources.
13. Use only factory ammunition with specific loads intended for this firearm.
14. When you walk around with the gun in a shooting area, ALWAYS keep the muzzle pointed in a safe direction.
15. Never rest your finger on the trigger until the very moment you wish to shoot.
16. Never lean the weapon loaded and with a closed breech block, it could fall and cause injury and death.
17. Never shoot against a solid surface or in a pool of water, the projectiles could ricochet and shoot toward any direction.
18. Before shooting ALWAYS check to ensure that the barrel is free of obstructions.
19. After use, clean and lubricate the inside of the barrel with appropriate oil. Avoid grease or oil build up that can cause excessive pressure and result in serious personal injuries. Before using

Owner's Manual – MUZZLE LOADING FIREARMS

- the gun again, inspect the barrel and chamber to make certain that there are no obstructions in the bore. Remove any oil residue with rod and dry patch before shooting.
20. Accumulation of rust in the barrel can cause excessive pressures resulting in serious injury and may cause the explosion of the barrel. A rusted, pitted or eroded barrel should be replaced.
 21. Always wear shooting glasses when shooting to protect your eyes.
 22. Use hearing protection to prevent hearing loss from repeated exposure to gunfire.
 23. **NEVER** modify any parts of your gun. Any alteration may cause serious personal injury and voids the warranty.
 24. Only a qualified gunsmith may service the gun for repair or serious maintenance.
 25. Wash hands thoroughly after shooting and handling firearms to remove any unwanted residues.
 26. Use exclusively factory loaded ammunition of the caliber specified on the firearm barrel. Use of different calibers may cause serious personal injuries to you and to people close to you.
 27. In case of misfire, manually extract the cartridge from the chamber.
 28. Do not attempt to re-use unexploded ammunitions.
 29. Armi Sport/ Chiappa Firearms declines any responsibility for misuse of the firearm.
 30. In case of alteration of the firearm, Armi Sport/ Chiappa Firearms declines any civil and penal responsibility and will not refund any damage.
 31. The user is responsible for injuries or damages caused to him or to other persons.
 32. Do not use alcohol or drugs before or during shooting session and while handling guns.
 33. NEVER run with a loaded gun, don't cross any obstacle (fences or water courses, etc.) without having your firearm unloaded and in safety position.
 34. Keep all bystanders behind you, standing beside a shooter is not a safe position.
 35. Complete knowledge of your firearm can make the difference.

*Armi Sport is proud to introduce the range of our
MUZZLE LOADING ITEMS*

RIF. ARTICOLO	DESCRIZIONE	ACCIARINO	CALIBRO	LUNGH. CANNA	LUNGT OT	N. DI RIGHE	PASSO RIGATURA (MM)	FILETTO LUMIN	PESO KG.
900.000	1842 SPRINGFIELD MUSKET	Percussion	.69	42"	58"	SMOOTH BORE		M8X1	4,8
910.005	1842 SPRINGFIELD MUSKET	Percussion	.69	42"	58"	3	1X1660	M8X1	4,8
910.040	1842 SPRINGFIELD SHORT RIFLE	Percussion	.69	33"	49"	3	1X1660	M8X1	4
910.000	1861 SPRINGFIELD MUSKET	Percussion	.58	40"	56"	3	1X1660	M8X1	4,6
910.002	1855 SPRINGFIELD MUSKET	Percussion	.58	40"	56"	3	1X1660	M8X1	4,6
910.001	1862 RICHMOND MUSKET	Percussion	.58	40"	56"	3	1X1660	M8X1	4,6
910.034	1855 SPRINGFIELD 2° MODEL	Percussion	.58	40"	56"	3	1X1160	M8X1	4,6
910.006	1863 ZOUAVE MUSKET	Percussion	.58	33"	49"	3	1X1660	M8X1	3,6
910.039	1863 ZOUAVE MUSKET MATCH	Percussion	.58	33"	49"	7	1X720	M8X1	3,6
910.007	1863 ZOUAVE CARBINE	Percussion	.58	25"	40"	3	1X1660	M8X1	3
900.001	1863 ZOUAVE MUSKET	Percussion	.58	33"	49"	SMOOTH BORE		M8X1	3,6
900.002	1863 ZOUAVE CARBINE	Percussion	.58	25"	40"	SMOOTH BORE		M8X1	3
910.003	1853 ENFIELD MUSKET	Percussion	.58	39"	55"	3	1X1660	M8X1	4
910.004	1858 ENFIELD MUSKET	Percussion	.58	33"	49"	3	1X1660	M8X1	3,8
910.008	KENTUCKY RIFLE	Percussion	.45	35"	50"	6	1X920	M6	3
910.009	KENTUCKY RIFLE	Percussion	.50	35"	50"	8	1X920	M6	3
911.000	KENTUCKY RIFLE	Flintlock	.45	35"	50"	6	1X920		3
911.001	KENTUCKY RIFLE	Flintlock	.50	35"	50"	8	1X920		3
911.004	KENTUCKY RIFLE PHOTOENGRAVED	Flintlock	.45	35"	50"	6	1X920		3
911.005	KENTUCKY RIFLE PHOTOENGRAVED	Flintlock	.50	35"	50"	8	1X920		3

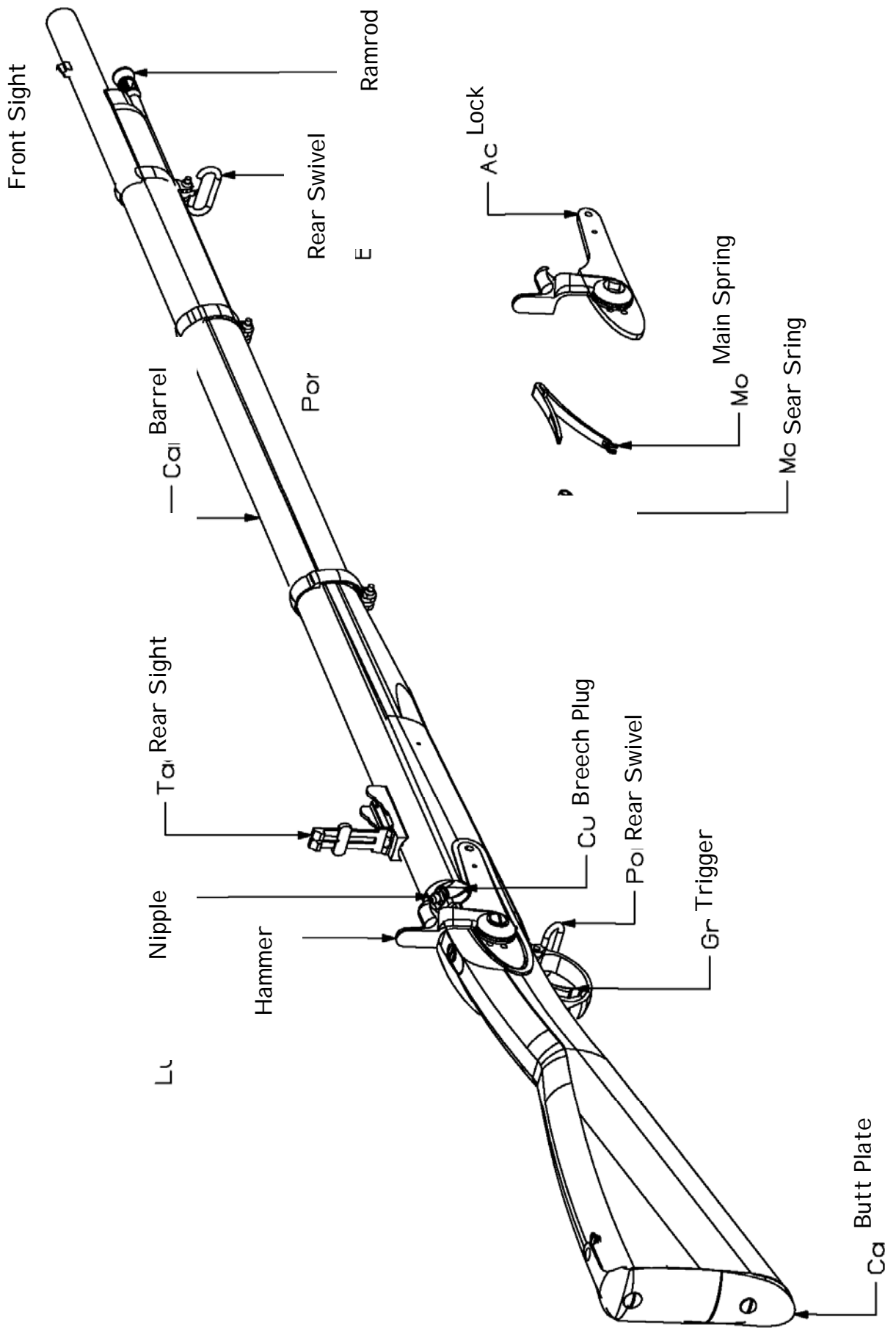
Owner's Manual – MUZZLE LOADING FIREARMS

RIF. ARTICOLO	DESCRIZIONE	ACCIARINO	CALIBRO	LUNGH. CANNA	LUNGTOT	N. DI RIGHE	PASSO RIGATURA (MM)	FILETTO LUMIN.	PESO KG.
910.031	KENTUCKY RIFLE PHOTOENGRAVED	Percussion	.45	35"	50"	6	1X920	M6	3
910.032	KENTUCKY RIFLE PHOTOENGRAVED	Percussion	.50	35"	50"	8	1X920	M6	3
940.000	KENTUCKY PISTOL	Percussion	.45	10"	15" ¾	8	1x540	M6	1
940.003	KENTUCKY PISTOL	Flintlock	.45	10"	15" ¾	8	1X540		1
940.020	KENTUCKY PISTOL PHOTOENGRAVED	Percussion	.45	10"	15" ¾	8	1x540	M6	1
940.021	KENTUCKY PISTOL PHOTOENGRAVED	Flintlock	.45	10"	15" ¾	8	1x540		1
940.011	KENTUCKY PISTOL DELUXE ABS CASE	Percussion	.45	10"	15" ¾	8	1x540	M6	1
940.012	KENTUCKY PISTOL DELUXE ABS CASE	Flintlock	.45	10"	15" ¾	8	1x540		1
940.007	KENTUCKY PISTOL WOODEN CASE	Percussion	.45	10"	15" ¾	8	1x540	M6	1
940.008	KENTUCKY PISTOL WOODEN CASE	Flintlock	.45	10"	15" ¾	8	1x540		1
940.002	CONNECTICUT PISTOL	Percussion	4,5 mm	10"	15" ¾	8	1x380	M6	1
940.013	CONNECTICUT PISTOL DELUXE ABS CASE	Percussion	4,5 mm	10"	15" ¾	8	1x380	M6	1
940.009	CONNECTICUT PISTOL WOODEN CASE	Percussion	4,5 mm	10"	15" ¾	8	1x380	M6	1
940.030	NAPOLEON LE PAGE PISTOL MATCH	Percussion	.45	10"	16" ½	8	1X540	M6	1
940.031	ROCHATTE A PARIS	Percussion	.36	10" 1/4	400	7	1x380	M6	0,9
940.032	ROCHATTE A PARIS	Percussion	.44	10" 1/4	400	7	1x460	M6	0,9
940.022	NAPOLEON LE PAGE ENGRAVED	Percussion	.45	10"	16" ½	8	1X540	M6	1
940.001	NAPOLEON LE PAGE PISTOL	Percussion	.45	10"	16" ½	8	1X540	M6	1
940.019	NAPOLEON LE PAGE PISTOL	Percussion	4,5 mm	10"	16" ½	8	1x380	M6	1
940.029	NAPOLEON LE PAGE Interchangeable barrel	Percussion	,45-4,5	10"	16" ½	8	1X540	M6	1

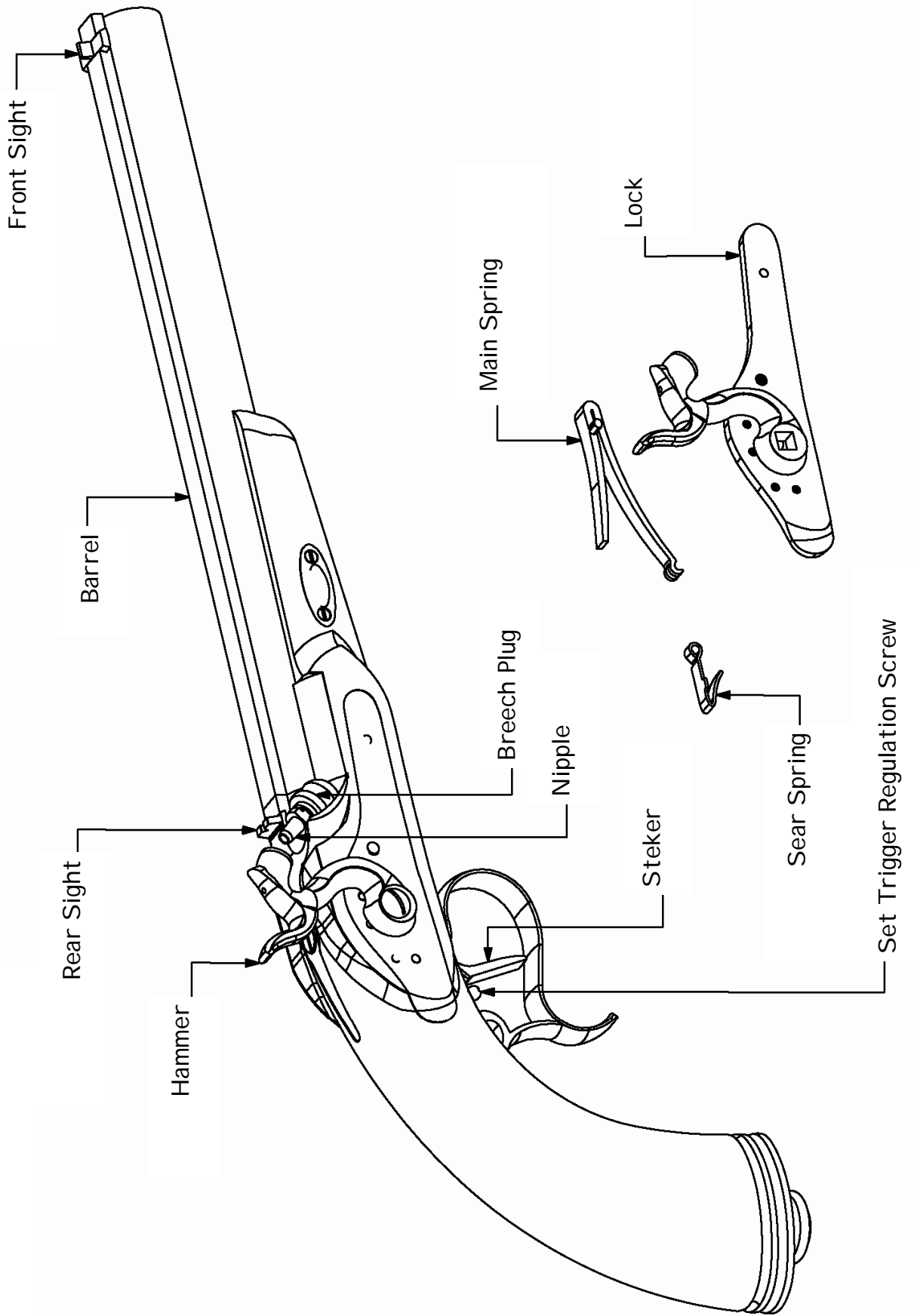
Each firearm is duly submitted to strong testing, to grant the highest security of the product, to the Italian Proof in Gardone Val Trompia.

On request we may add high quality and precious hand engravings in each firearms.

Muzzle Loading Rifle Essential parts Name



Muzzle Loading Pistol Essential parts Name



Instructions for muzzle loading firearms use

Precaution:

- **ONLY USE BLACK POWDER OR APPROPRIATE BLACK POWDER SUBSTITUTE**
- On our firearms on the barrel it is clearly marked “BLACK POWDER ONLY”. Do not use powder different than BLACK POWDER OR APPROPRIATE BLACK POWDER SUBSTITUTE
- Pay attention to keep the powder away from fire or heating sources and don't use boxes that can produce an electrostatic charge.
- Don't smoke while using black powder
- Black powder lays corrosive residues, so it's necessary to wash, clean and then oil particularly, all parts in contact with black powder
- In the next pages you'll find a chart with the correct powder loads to use. It's very important to use only quality powder and recommended loads to avoid high pressures that may cause the explosion of the barrel.
- ALWAYS wear shooting glasses to protect your eyes from debris.
- ALWAYS use hearing protection to prevent loss hearing.
- In case of misfire, keep the firearms in shoot direction for several minutes; it could be a delayed shot.
- NEVER dry fire the gun, you may damage to the shooting mechanism.
- Before shooting, correctly shoulder the gun laying the butt plate firmly against your shoulder.
- Don't put the powder in the barrel directly from the flask, use appropriate plastic bottle, prepared with the right loading dose.
- Use extreme caution and care during loading to prevent a double charge of powder or bullet, which may cause the barrel to explode and cause serious injury or death to you or bystanders.

Percussion Firearms loading:

- Before loading **ALWAYS** check that the barrel is free of obstruction.
- Remove any oil and grease residue with rod and dry patch before shooting.
- After cleaning barrel with brush, keep the firearms in safety shoot direction and make 2 shots only with caps so you can verify that the nipples is free of obstructions and dry the barrel from possible oil residues.
- Put a patch or a piece of rubber on the floor so you won't damage your firearm when you lean it on the ground during loading operation. If you have a pistol put it on a loading board.
- Keep the hammer down before start loading. Keep the firearm with the barrel in upper direction and fill in the black powder previously prepared in appropriate plastic bottles with the right dose (for the right doses look at the next chart). During this operation pay attention don't keep your head or part of your body over the muzzle of the barrel, a sudden burst may seriously injure you.

- Load the black powder using appropriate brass funnel to allow the powder enter easily without sticking along the barrel surface.
- After loading the powder hit with your hand on the side of the firearm close to the lock, so you can perfectly adjust the powder at the base of the nipple.
- Place the bullet on the barrel's muzzle. If you use a round bullet use an oiled patch; place the patch first and then the round bullet and push them inside the barrel by a wood hammer, then keep pushing in the bullet until it reaches the base of the barrel using the appropriate rod. If you use a Miniè bullet (ogival) don't use the patch but grease the bullet directly and proceed as for the round bullet.
- When the bullet is on the base of the barrel is very important not to press too much the powder (it may cause pressure increase) but at the same time the bullet must lay on the powder and have no empty spaces between bullet and powder.
- Now, after keeping firearm in shooting direction, you can cock the hammer in half-cock position and put the cap on the nipple.
- Then cock the hammer in fire position and shoot.
- After every shot before start a new loading wait a few moments so eventual powder residual in the barrel can definitely extinguish.
- Before start a new loading it's a good precaution to put the rod into the barrel so you can check that the barrel is completely free of obstruction.
- During this operation pay attention don't keep your head or part of your body over the muzzle of the barrel, a sudden burst may seriously injure you.
- ALWAYS pay attention to keep away from your body the muzzle of the gun during powder introduction.

Flintlock Firearm Loading :

- Before loading **ALWAYS** check that the barrel is free of obstruction.
- Remove any oil and grease residue with rod and dry patch before shooting.
- When you put the flintlock on the hammer you have to wrap up it in an appropriate lead clamp and then close very well the top jaw screw by a pin. Pay attention when the hammer is in half-cock position the flintlock must not touch the frizzen.
- Put on the floor a patch or a piece of rubber so you won't damage your firearm when you lay it on the ground during loading operation. If you have a pistol put it on the loading board.
- Keep the hammer in half-cock position and the frizzen down before start loading. Keep the firearm with the barrel in upper direction and fill in the black powder previously prepared in appropriate plastic bottles with the right dose (for the right doses look at the next chart). During this operation pay attention don't keep your head or part of your body over the muzzle of the barrel, a sudden burst may seriously injure you.
- Fill in the black powder using appropriate brass funnel to allow the powder to enter easily without sticking along the barrel surface.
- After loading the powder hit with your hand on the side of the firearm close to the lock, so you can perfectly fill up the base of the nipple.
- Place the bullet on the barrel's muzzle. If you use a round bullet use an oiled patch; put the patch first and then the round bullet and push it inside the barrel by a wood hammer, then push in the bullet until you reach the base of the barrel using the appropriate rod.
- When the bullet is on the base of the barrel is very important not to press too much the powder (it may cause pressure increase) but at the same time the bullet must lay on the powder and don't have an empty space between bullet and powder.

- Now, after keeping firearm in shooting direction, you can open the frizzen, and using an appropriate flask pour the fine powder 4F type into the muzzle of lock plate and the close the frizzen.
- Then cock the hammer in fire position and shoot.
- After every shot before start a new loading wait a few moments so eventual powder residual in the barrel can definitely extinguish.
- Before start a new loading it's advisable to put the rod into the barrel so you can check the barrel is completely free of obstruction.
- ALWAYS pay attention to keep away from your body the muzzle of the gun during powder introduction.

“STECHEER” System:

Some of our firearms have a particular shooting system called “STECHEER”.

This can be DOUBLE trigger or SINGLE trigger.

First, cock the back trigger that sets a spring, for the “single trigger stecher” the cock is pushing forward the trigger, in this way you charge a spring that will click with light pressure when you'll decide to pull the trigger.

In both versions there is a screw that allows to adjust the trigger pull.

Always adjust this screw with the gun unloaded.

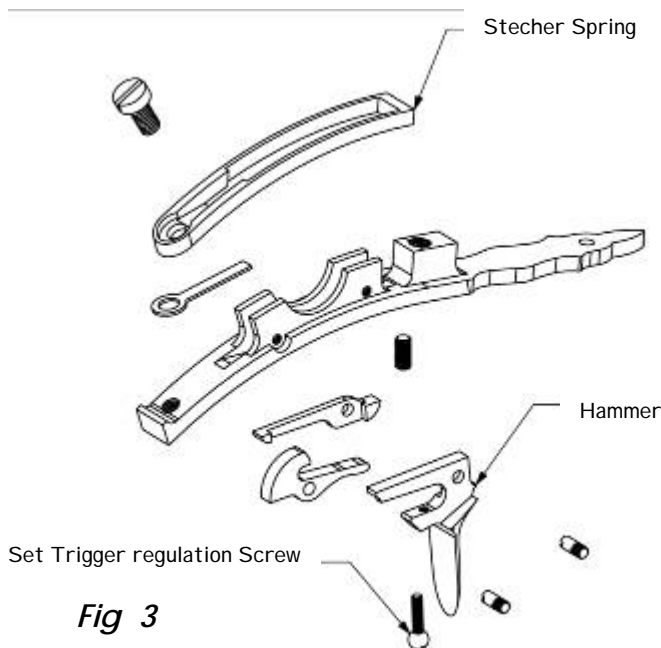


Fig 3

**ATTENTION:
DO NOT
ADJUST THE
TRIGGER TOO
LIGHT**

Disassembling and cleaning :

Military Rifle:

- a. Remove the rod.
- b. Remove the bands that wrap the stock and the barrel. There are two style bands, with and without screw. For the screw style, unscrew the screw; for the bands without screw push the spring so the band can pass over.
- c. Unscrew and remove the tang screw.

- d. To prevent damage to the stock, turn the rifle up side down and softly hit on a smooth surface with the muzzle of the barrel (see fig.4). In this way you can easily disassemble the barrel from the stock.

Kentucky Rifle:

- a. Remove the rod.
- b. Under the rod, you'll find a screw that hold the stock to the barrel. Completely unscrew it.
- c. Remove the forend cap pushing out the pin that fastens it to the barrel using a pin pusher.
- d. Unscrew and remove the tang screw.
- e. To prevent damage to the stock, turn the rifle up side down and softly hit on a smooth surface with the muzzle of the barrel (see fig.4). In this way you can easily disassemble the barrel from the stock.

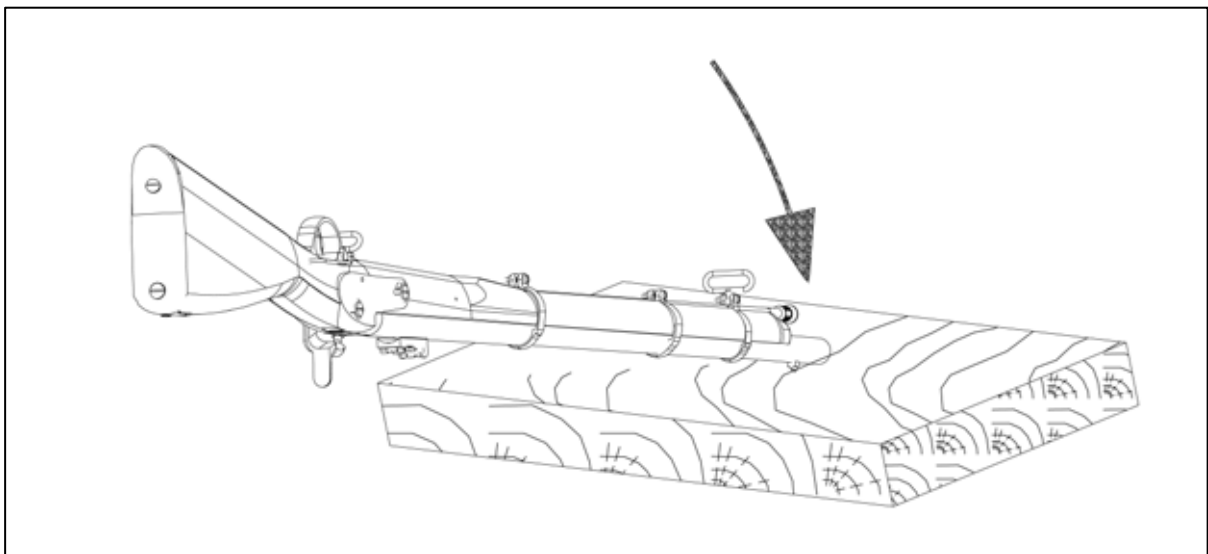


Fig 4

Kentucky Pistol:

- a. Remove the rod.
- b. Under the rod, you'll find a screw that holds the stock to the barrel. Completely unscrew it.
- c. Remove the forend cap pushing out the pin that fastens it to the barrel using a pin pusher.
- d. Unscrew and remove the tang screw.
- e. To prevent damage to the stock, turn the rifle up side down and softly hit on a smooth surface with the muzzle of the barrel (see fig.4). In this way you can easily disassemble the barrel from the stock.

Napoleon Le page and Rochatte Pistol:

- a. Remove the wedge holding the stock to the barrel.
- b. Unscrew and remove the tang screw.
- c. To prevent damage to the stock, turn the rifle up side down and softly hit on a smooth surface with the muzzle of the barrel (see Fig.5). In this way you can easily disassemble the barrel from the stock.
- d. With the Napoleon Le Page model, NEVER remove the nipple base.

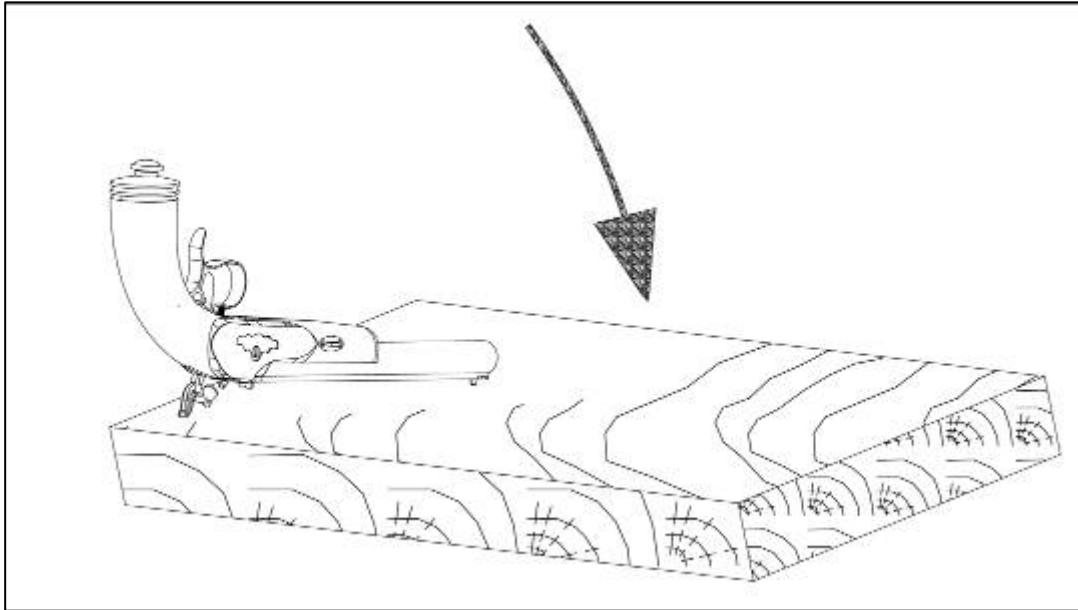


Fig 5

Barrel ordinary cleaning:

1. PERCUSSION FIREARMS: dismantling the nipple.
2. Use warm water and neutral soap brushing the barrel to remove black powder residues.
3. Wash using clean warm water.
4. Completely dry the barrel brushing with dry patches.
5. Oil all the parts.
6. Reassemble the nipple.

Barrel extra-ordinary cleaning:

1. This operation must be done at the end of each shooting season. First, using a vice, disassemble the breech plug of the barrel (for Kentucky Rifle/Pistol and for Napoleon Le page Pistol it's NOT necessary disassemble the DRUM).
2. Cover the jaws of the vice with plastic or leather protection to avoid damage to the barrel.
3. Close to the end of the barrel, you'll find two flat surfaces to clamp the barrel in the vice, keep out the the jags the breech plug.
4. Using a common wrench you can unscrew the breech plug, paying special attention not to put the wrench in the upper side of the breech but using the lower side (in this way any scratches done during the disassembly can't be seen when the gun is re-assembled).
5. Proceed washing the barrel and the breech plug.
6. Use warm water and neutral soap brushing the barrel to remove black powder residues.
7. Rinse using clean warm water.
8. Dry completely the barrel brushing with dry patches.
9. Oil all the parts.
10. Reassemble the nipple.

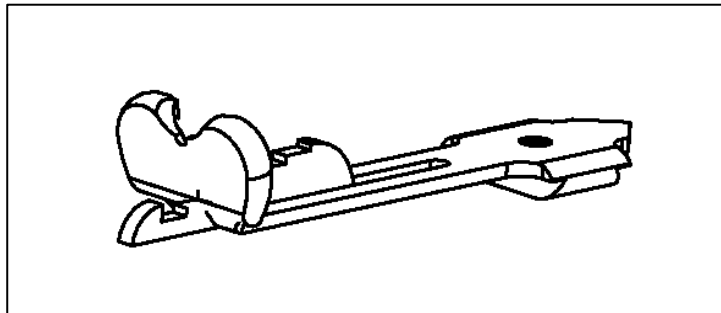
Rear sight and front sight adjustment:

Most of our firearms are of original Military Rifle design without an accurate sight system or sights with minimal adjustment.

In order to have maximum performance, it may be necessary to establish the preferred load which you will be shooting and make any necessary sight adjustments after that load is determined.

In case you have dove tail shape sights, it is possible to correct the point of impact by moving the front and or rear sights to the right or to the left.

If you have fixed sights, alignment can be reached shaping or filing the front sight and/or the rear sight.



Identify marking:

Our firearms have a serial number that you'll find on the barrel.

Close to the serial number you'll find the certification mark of the Italian National Proof House. Moreover we mark all our firearms with the name of our Factory, the calibre of the gun and the inscription "Black Powder Only" and "Made in Italy"

These marks must never be modified or removed from the firearm FOR ANY REASON.

Ordinary and extraordinary maintenance:

- Before any kind of maintenance, be sure that the firearm is unloaded.
- "ORDINARY MAINTENANCE" means any maintenance the owner must do to have the gun in perfect conditions after using it.
- "EXTRAORDINARY MAINTENANCE" means to replace broken or worn parts found on the firearm. In this case only a qualified gunsmith may service the gun for repair or serious maintenance.
- Also, complete resetting, after long periods of inactivity would require "EXTRAORDINARY MAINTENANCE" even if correct maintenance was taken when placed the gun in storage.

- To prevent unnecessary maintenance, use proper care in cleaning after each use. Usually the dealer that sell you the firearm would be able to advise you regarding the best lubricating oil to use.
- Avoid excessive oil residue.
- Don't use pure silicone or lanoline. After long periods of inactivity of your rifle, it's advisable to completely disassemble and inspect it or give it to an authorized gunsmith for inspection. If it could be necessary to replace any worn or damaged parts, you will find below the exploded view and the parts list of each muzzle-loading firearm.
- If you need to order any parts, it is necessary to indicate the purchase date, the serial number, the exact model and the caliber of your gun and the item ref. of the part you need.
- If you have any doubt about a problem with your gun, DON'T USE IT, have it inspected by an authorized dealer or gunsmith.
- Improper use or actions may cause serious injury and or death to yourself and/or any bystanders during the firearm's use.
- Always use with care and respect to avoid any incident or event that may change yours and other's life.

A NOTE ABOUT HISTORICAL FIREARM DESIGNS

Armi Sport proudly manufactures finely crafted firearms product produced to famous historical designs. These firearms are manufactured using precise modern machinery and high quality modern materials. They are faithful reproductions of firearms originally designed in the nineteenth century; however, in choosing to own or use historical firearms the user has to recognize that there have been significant advances in firearms design and safety in the hundred years or more since these firearms were designed. Armi Sport manufactures these guns not as state of the art firearms, but as historically significant firearms for the collector. It is vital that the user be familiar with his firearm and possible safety risks that may be present in the design. Most significantly, the user should realize that the designs of safeties - or even the presence of adequate safeties - vary significantly on historical designs and do not offer the protection against accidental discharge that modern firearms safeties achieve.

Similarly, any firearm that is designed to be fired using black powder (or Pyrodex) has basic risks not found in modern cartridge firearms. Black powder is a dangerous explosive and has to be used and handled with extreme caution. The slightest miscalculation or carelessness with black powder firearms can result in serious injuries to the user.

Loading chart

TYPE	CAL.	POWDER	POWDER GRAINS	PATCH	BALL TYPE	BALL DIMENS.	BALL GRS	SEMOLINA	GROOVE DIAMETER	BORE BARREL DIAMETER
RIFLE										
ENFIELD	.58	SWISS n°3 (FFG)	55-65	VASELINE	MINIE'	.585 (14,85mm)	680	2 GR	14.86	14,65
SPRINGFIELD 1861-1855	.58	SWISS n°3 (FFG)	55-65	VASELINE	MINIE'	.585 (14,85mm)	680	2 GR	14.86	14,65
RICHMOND	.58	SWISS n°3 (FFG)	55-65	VASELINE	MINIE'	.585 (14,85mm)	680	2 GR	14.86	14,65
1842 SPRINGFIELD	.69	SWISS n°3 (FFG)	65-75	0.38	ROUND	.675(17,14mm)	450	#	17.88	17.60
1842 SPRINGFIELD <i>smoothbore</i>	.69	SWISS n°3 (FFG)	65-75	0.38	ROUND	.675(17,14mm)	450	#	17.88	17.60
1842 SHORT RIFLE	.69	SWISS n°3 (FFG)	65-75	0.38	ROUND	.675(17,14mm)	450	#	17.88	17.60
ZOUAVE	.58	SWISS n°3 (FFG)	60-65	VASELINE	MINIE'	.585 (14,85mm)	680	2 GR	14.86	14.65
ZOUAVE MATCH	.58	SWISS n°3 (FFG)	48-54	VASELINE	MINIE'	.577 (14.65mm)	620	2 GR	14.86	14.65
KENTUCKY PERC.	.45	SWISS n°2 (FFG)	40-50	0.25	ROUND	.440(11,176mm)	131	#	11.65	11.37
KENTUCKY FLINT	.45	SWISS n°2 (FFG)	40-50	0.25	ROUND	.440(11,176mm)	131	#	11.65	11.37
KENTUCKY PERC.	.50	SWISS n°2 (FFG)	45-55	0.25	ROUND	.495(12,573mm)	184	#	12.90	12.70
KENTUCKY FLINT	.50	SWISS n°2 (FFG)	45-55	0.25	ROUND	.495(12,573mm)	184	#	12.90	12.70

PISTOL										
ROCHATTE A PARIS	.36	SWISS n°1(FFFFG)	12-18	0.25	ROUND	.354(8,99mm)	66	#	9.34	9.14
ROCHATTE A PARIS	.45	SWISS n°1(FFFFG)	15-20	0.25	ROUND	.440(11,176mm)	131	#	11.65	11.37
NAPOLEON LE PAGE	.45	SWISS n°1(FFFFG)	15-20	0.25	ROUND	.440(11,176mm)	131	#	11.65	11.37
NAPOLEON LE PAGE	.45	SWISS n°1(FFFFG)	15-20	VASELINE	ROUND	.454(11,531mm)	131	2 GR	11.65	11.37
KENTUCKY PERC.	.45	SWISS n°1(FFFFG)	15-20	0.25	ROUND	.440(11,176mm)	131	#	11.65	11.37
KENTUCKY FLINT	.45	SWISS n°1(FFFFG)	15-20	0.25	ROUND	.440(11,176mm)	131	#	11.65	11.37
NAPOLEON LE PAGE	4,5	ONLY PRIMER	#	#	ROUND	4,3/4,5 mm	#	#	4.60	4.50
CONNECTICUT	4,5	ONLY PRIMER	#	#	ROUND	4,3/4,5 mm	#	#	4.60	4.50

GUARANTEE CONDITIONS

Armi Sport guarantees that our products are scrupulously checked against defects in materials, workmanship and aesthetical and functioning problems.

In case you find a defect in one of our products, you should immediately contact the DEALER/SHOP/GUNSMITH where you have bought your gun. The seller will indicate the conditions for the repair, which will be either made directly by them or through our assistance.

ATTENTION: end users are not allowed to ship any gun directly to Armi Sport for repair, either under guarantee or against payment. Transportation of weapons is strictly regulated and the documents which are required can solely be issued by companies with specific authorization.

1. Armi Sport will warrant for structural or project defects without any time limit.
2. Armi Sport guarantees, for a year after the purchase date, the free substitution of parts for defects which have been found out also during use: wear of parts which shouldn't be subject to wear, or excessive wear of parts subject to wear. The customer will have to give evidence of the purchase date with a bill or other valid proof.
3. In case the defect under cover of guarantee is not repairable, Armi Sport will provide for a free substitution of the weapon.

ARMI SPORT RESERVES THE INSINDACABLE FACULTY OF DEFINING THE TYPE OF DEFECT OF THE WEAPON, AND THEREFORE TO STATE WHETHER THE DEFECT IS COVERED BY GUARANTEE – Armi Sport's decision will be fair but final.

Armi Sport will be allowed a timing of 60 days for repair under guarantee, and 90 days for free substitution.

We strongly recommend that you keep the receipt
or proof of purchase for any Armi Sport product

THE GUARANTEE IS VOID IN CASE:

- Inadequate ammunition has been used (any ammunition but those commonly on sale, reloaded ammunition, different from caliber and specification indicated on the gun barrel)
- The gun failed to be provided proper maintenance and cleaning
- The gun has been modified without our prior consent
- Unauthorized, inadequate or incorrect repairs have been carried out
- Parts subject to wear and corrosion
- Damage (improper use of the gun by the user)
- Expiry of the guarantee

In the above cases the repair, if carried out, will be charged to the customer

The guarantee does not cover parts subject to wear and corrosion

In case non original spare parts are used, the guarantee or any service contract with Armi Sport will be void.

ATTENTION: delivery expenses to and from the service center are not covered by the guarantee and will be charged to the customer.

In case, for any valid reason, you do not have the possibility to obtain repair under guarantee at the shop where you bought the gun, you may contact us directly; we will indicate a local dealer to support you with the repair file:

e-mail: info@armichiappa.com - Phone: +39/030/9749065
USA: e-mail: info@chiappafirearms.com - Phone: 937-835-5000

Should Armi Sport become aware of a defect of the rifle during the guarantee period, the defective part will be substituted free of charge.

This instruction manual must always follow the firearm, also in case the owner should change

Procedure for the usage of the guarantee

BEFORE shipping the weapon back for repair, the customer should contact the gunshop where the product was bought. The customer should supply proper information on the defect, and the relevant file will then be started.

The gun shop will be given an "NDR" (Repair Number). The weapon will have to be shipped back to the gun shop in its original packing, with a copy of the purchase date, the Guarantee Form (attached) duly filed with indication of the NDR number, according to the instructions of the dealer.

WARNING: the returned gun must be protected with an adequate packaging; any damages occurred during transportation and handling will be the customer's responsibility

✂ **Request form**

REPAIR UNDER GUARANTEE

NdR NDR :

**Please write in the above box the Repair Number
you were given by the gun shop**

1. Customer data:

- Name: _____
- Address : _____
- Town : _____
- ZIP Code : _____
- Phone : _____ Available from ____ to ____
- Fax : _____

2. Product information:

- Model : _____
- Serial number : _____

3. Gun Shop - dealer:

- Purchase date : _____
- Dealer name : _____
- Dealer address : _____

4. Description of defect:

Documents to enclose: Proof of the purchase date

USEFUL LINKS

SASS – Single Action Shooting Society
23255 La Palma Av.
Yorba Linda, CA 92887
Ph 887.411.72277 714.694.188
www.sassnet.com sass@sassnet.com

NMLRA – National Muzzle Loading Rifle Association
P.O. BOX 67
FRIENDSHIP IN
PH. 812.6675131 - 800.745.1493
www.nmlra.org

CMSA – Cowboy Mounted Shooting Association
14227 E. Rock View road
Scottsdale, AZ 85262
PH 480.683.0485
turben@cowboymountedshooting.com www.cowboymountedshooting.com

MLAIC – Muzzle Loaders Associations International committee
922 Lincoln Drive, Washington C.H. Ohio 43160 USA
ph. 740.636.8544
fax 740.636.8549
www.mlaic.org



Armi Sport

Armi Sport
di Chiappa Silvia & C Snc
Via Milano N°2 Azzano Mella (BS)
Tel. 030 9749065 Fax 030 9749232
www.armochiappa.com
email: info@armsport.com



Kimar Srl
Via Milano N°2 Azzano Mella (BS)
Tel. 030 9749065 Fax 030 9749232
www.armochiappa.com
email: info@armsport.com



Chiappa Firearms, Ltd.
530 N. Union Road
Dayton, OH 45427 USA
Tel. 937-954-1040
www.chiappafirearms.com
email: info@chiappafirearms.com