

- Kentucky Pistol -

Models:

Finished

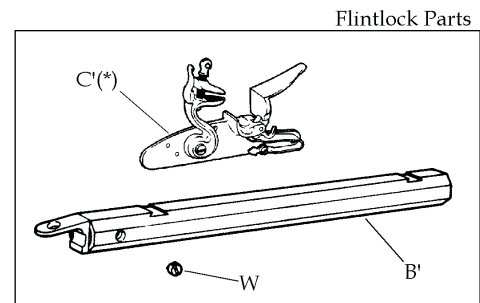
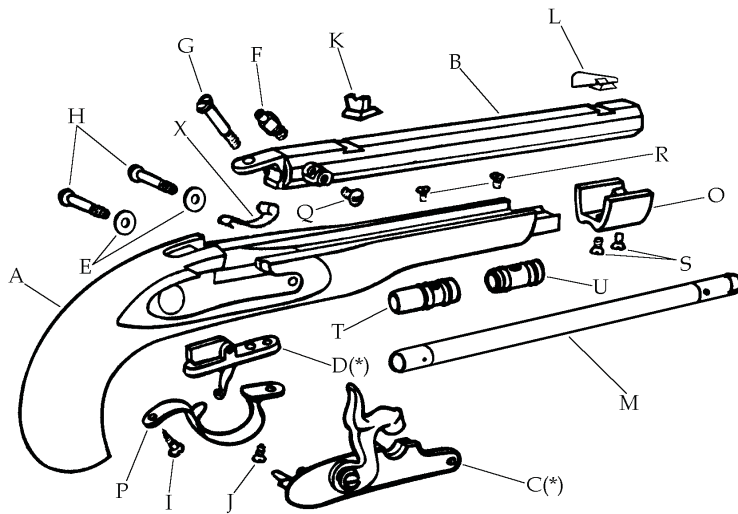
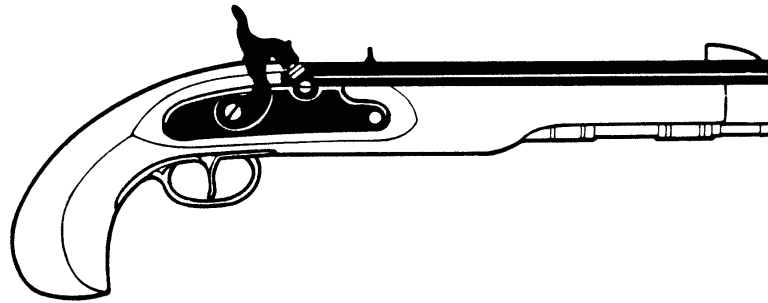
Kit

P-1050
 .50 cal. flint. 1-20"
 Blued Barrel

P-1060
 .50 cal. perc. 1-20"
 Blued Barrel

KP-5050
 .50 cal. flint. 1-20"
 White Barrel

KP-5060
 .50 cal. perc. 1-20"
 White Barrel

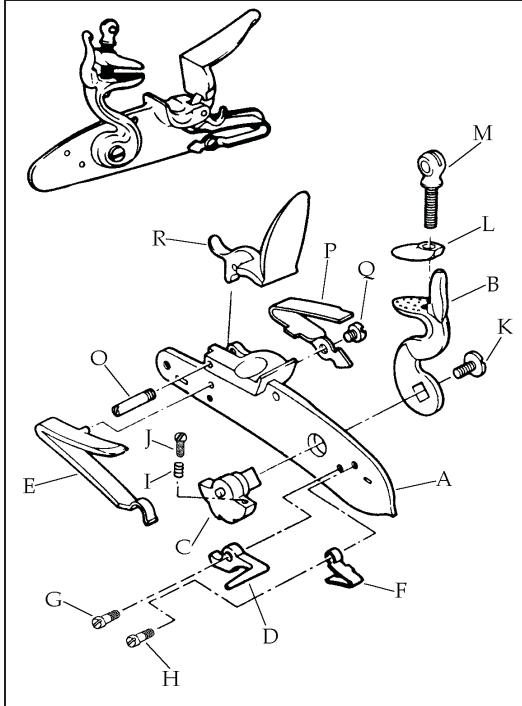


Description	Reference	Description	Reference
A Stock (Beech) (kit).....	K-10601	G Tang Screw.....	20209
Stock Beech (Flintlock) (Finished).....	FCS10501	H Lock Screw (2).....	20220
Stock Beech (Percussion) (Finished).....	FCS10601	I Rear Trigger Guard Screw.....	20624
B Barrel Assembly (Kit)		J Front Trigger Guard Screw.....	36014
.50 cal. perc. (twist 1-20").....	C-106000	K Rear Sight.....	20210
Barrel Assembly Blued (Finished)		L Front Sight.....	36011
.50 cal. perc. (twist 1-20").....	FB106000	M Ramrod.....	10628
B' Barrel Assembly (Kit)		O Nose Cap (Brass).....	10615
.50 cal. flint. (twist 1-20").....	C-105000	P Trigger Guard (Brass).....	10423
Barrel Assembly Blued (Finished)		Q Bolster Screw Percussion Only.....	20605
.50 cal. flint. (twist 1-20").....	FB105000	R Thimble Screw (2).....	20214
C Percussion Lock.....	20203	S Nose Cap Screw (2).....	20225
C' Flintlock.....	20103	T Rear Thimble.....	10613-B
D Trigger Assembly.....	20122	U Front Thimble.....	10613-A
E Lock Washer (2).....	20619	W Touch Hole Insert -Flintlock Only-.....	20534
F Nipple Percussion Only.....	20608	X Ramrod Retaining Spring.....	20621

(*) Exploded view at the reverse.

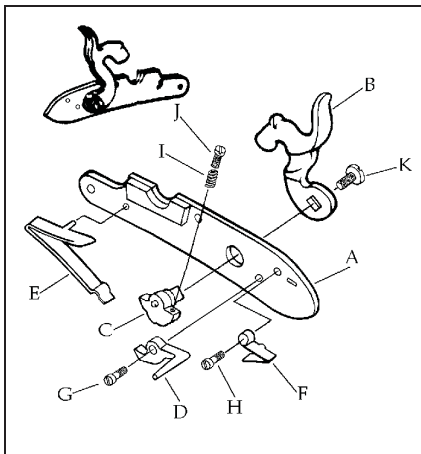
TRADITIONS™

Flintlock Assembly - Ref. 20103



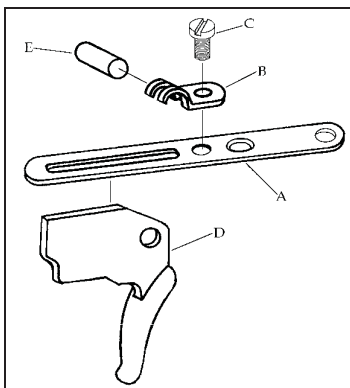
	Description	Reference
A	Lock Plate.....	70101
B	Hammer.....	70502
C	Tumbler.....	70603
D	Sear.....	70504
E	Mainspring.....	70505
F	Sear Spring.....	70506
G	Sear Screw.....	70514
H	Sear Spring Screw.....	70121
I	Sear Adjusting Screw Spring.....	70520
J	Sear Adjusting Screw.....	70518
K	Hammer Screw.....	75512P
L	Top Jaw.....	70509
M	Top Jaw Screw.....	70513L
O	Frizzen Screw.....	70516
P	Frizzen Spring.....	70519
Q	Frizzen Spring Screw.....	70517
R	Frizzen.....	70507

Percussion Lock Assembly - Ref. 20203



	Description	Reference
A	Lock Plate.....	70201
B	Hammer.....	70602
C	Tumbler.....	70603
D	Sear.....	70504
E	Mainspring.....	70505
F	Sear Spring.....	70506
G	Sear Screw.....	70514
H	Sear Spring Screw.....	70121
I	Sear Adjusting Screw Spring.....	70520
J	Sear Adjusting Screw.....	70518
K	Hammer Screw.....	75512P

Trigger Assembly - Ref. 20122



	Description	Reference
A	Trigger Plate.....	60301
B	Trigger Bridle.....	60403
C	Bridle Screw.....	60406
D	Trigger.....	60402
E	Pin.....	60404