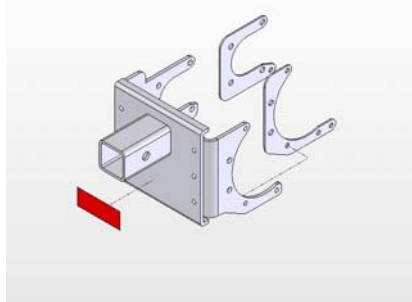




85160 – Kawasaki Swing Arm 2” Receiver Hitch

Description	Quantity
Left Side Inner Plate	1
Left Side Outer Plate	1
Right Side Inner Plate	1
Right Side Outer Plate	1
Receiver Hitch Plate	1
5/16” x 1 1/2” Grade 8 Bolts	6
5/16” Grade 8 Nylock Nut	6
5/16” Flat Washer	6
10mm X 40mm x 1.25 pitch Flanged Bolt	6
8mm X 35mm x 1.25 pitch Flanged Bolt	3
5/8” x 3” Bent Hitch Pin	1
R-Pin	1
Instruction Manual	1



Hitch Assembly:

1. Using the 5/16” bolts provided, attach the Receiver Hitch Plate to the Right Outer Plate and the Left Outer Plate, loosely. Do not tighten bolts at this time!

Hitch Mounting:

Note-using a floor jack to lift the rear of the machine will lessen the possibility of leaking rear axle lube.

1. Remove the 11 bolts that are holding the stock hitch on the ATV. Remove Hitch.
2. Mount hitch (85160) to the same holes that the existing hitch was in and attach using the hardware provided.
3. Use the 2 existing Bolts to reattach the skid plate with the DirtWorks Hitch.
4. Tighten down the Hitch Tube Weldment to the side plates, making sure that the Hitch is level while tightening.

Note: It is possible to have rear axle fluid spill out of axle differential during removal and re-installation of your receiver hitch, if this should occur see owners’ manual for proper fluid type and replace any lost fluid before use.

Hitch Use:

- The 2” Receiver hitch is designed to allow you to quickly and easily mount and dismount the DirtWorks 3-Point Hitch system.
- Kolpin recommends the use of the DirtWorks Suspension Lock with the use of the DirtWorks System.
- The hitch can also be used for chores around the house, such as moving your boats, trailers, etc.

Hitch Compatible With:

1. 2005 Kawasaki Prairie 360
2. 2005 Kawasaki Prairie 700
3. 2005 Kawasaki Brute Force 650
4. 2004-2005 Suzuki Twin Peaks 700

Some older models may be compatible with this receiver hitch, see your local dealers for more information on cross referencing this hitch to other model years and makes.



Kolpin Powersports, Inc.
107 Industrial Drive, Fox Lake, WI
Phone #: (877) 9KOLPIN or (920) 928-6514
www.kolpinpowersports.com
customerservice@kolpin.com