

FIT GUIDE

SAFARILAND® 578 GLS PRO-FIT™ HOLSTER

KEY BENEFITS & FEATURES

- Proprietary SafariSeven™ material is completely non-abrasive to the firearm's finish.
- Sight Channel™ design accommodates raised sights and mounted optics Safariland® paddle rides close to body and is the most comfortable ergonomic design available anywhere.
- The GLS™ (Grip Locking System) releases easily and naturally with a proper shooting grip using the middle finger as you draw.
- The Safariland Pro-Fit™ holster fits multiple firearms.

IMPORTANT NOTE:

All Safariland 578 Pro-Fit holsters require adjustment prior to use.

Please read instructions carefully.



SUB-COMPACT

MANUFACTURE	SHIM
GLOCK 26	
GLOCK 27	
GLOCK 30	
GLOCK 30S	
GLOCK 39	
FNS 9 COMPACT	
FNS 40 COMPACT	
RUGER SR-40C	
RUGER SR-9C	
S&W M&P COMPACT 9mm, .40	
S&W M&P SHIELD 9mm, .40	•
H&K P2000SK 9mm, .40	
WALTHER P99C QA 9mm, .40	
WALTHER P99C DAO 9mm, .40	
WALTHER P99C AS 9mm, .40	
WALTHER PPS 9mm, .40	
SPRINGFIELD XDS 9mm 3.3"	
SPRINGFIELD XDS 45 3.3"	
TANFOGLIO WITNESS P CARRY 9mm	
TANFOGLIO WITNESS P COMPACT 9mm	
TANFOGLIO WITNESS P CARRY 40	
TANFOGLIO WITNESS P COMPACT 40	
TANFOGLIO WITNESS P CARRY 45	
TANFOGLIO WITNESS P COMPACT 45	
TANFOGLIO WITNESS P CARRY 10mm	
TANFOGLIO WITNESS P COMPACT 10mm	

STANDARD

MANUFACTURE	SHIM
CENTURY ARMS (CANIK) 40SA	
CENTURY ARMS (CANIK) TP9SA	
GAMO PT85 BLOWBACK (AIRSOFT)	
GLOCK 17	
GLOCK 20	
GLOCK 21	
GLOCK 22	
GLOCK 37	
GRAND POWER 45	
GRAND POWER K100	
GRAND POWER P1	
GRAND POWER P1 ULTRA	
GRAND POWER P11	
GRAND POWER P40	
H&K 45	
H&K P30L 9mm, .40	
H&K VP40	
MAGNUM RESEARCH MR40	
MAGNUM RESEARCH MR9	
RUGER AMERICAN 9mm, .40	
S&W M&P 22	
S&W M&P 45 4.5"	
S&W M&P 9mm, 40	
S&W M&P 9mm, 40 C.O.R.E.	
S&W SW40F	
SARSILMAZ ST-10	•
SIG P226 (No Rail) 9mm	•
TAURUS PT809	
TAURUS PT840	
TAURUS PT845	

LONG

MANUFACTURE	SHIM
AMT 1911'S	•
COLT 1911'S	•
CZ 75	•
ED BROWN 1911'S	•
FN FIVE-SEVEN	•
FNS 40 LS	
FNS 9 LS	
GLOCK 17L	
GLOCK 34	
GLOCK 35	
GLOCK 40	
GLOCK 41	
GRAND POWER X-CALIBER	
KIMBER 1911'S	•
LES BAER 1911'S	•
NIGHTHAWK 1911'S	•
PARA ORDNANCE 1911'S	•
REMINGTON 1911'S	•
ROCK ISLAND ARMORY 1911'S	•
ROCK RIVER ARMS 1911'S	•
RUGER AMERICAN 45	
RUGER 1911'S	•
S&W 1911'S	•
S&W M&P 9L, 40L	
S&W M&P 9L, 40L C.O.R.E.	
SARSILMAZ SAR-K2-45	
SIG SAUER 1911'S	•
SPRINGFIELD 1911'S	•
STI 1911'S	•
TANFOGLIO 1911'S	•
TAURUS 1911'S	•
WALTHER PPQ.5" 9mm, .40	
WALTHER PPQ M2 5" 9mm, .40	
WILSON COMBAT 1911'S	•

COMPACT

MANUFACTURE	SHIM
BERSA BPCC .380, 9mm, .40	
CARACAL PISTOL F	
CENTURY ARMS (CANIK) TP40	
CENTURY ARMS (CANIK) TP9	
FMK C140	
FMK C19 (9C1 G2 BLDG)	
FNS 9mm, .40	
GLOCK 19	
GLOCK 23	
GLOCK 38	
H&K 45C	
H&K P2000 9mm, .40	
H&K P30 9mm, .40	
H&K USP 9mm, .40	
H&K USP COMPACT 9mm, .40	
H&K VP9	
ISSC M22 (ATI)	
RUGER 9E	
RUGER SR-40	
RUGER SR-45	
RUGER SR-9	
S&W 99	
S&W M&P .45 4" (STD)	
S&W M&P .45 COMPACT	
S&W SD40VE	
S&W SD9VE	
SARSILMAZ SARGUN	•
SIG P225 (No Rail) 9mm	•
SPRINGFIELD XDS 9mm, .45 4"	
TANFOGLIO WITNESS 9mm	•
TANFOGLIO WITNESS P FULL 10mm, .45	
TANFOGLIO WITNESS P FULL 9mm, .40	
WALTHER CCP	
WALTHER P99 Variants 9mm, .40	
WALTHER P99Q, .40	
WALTHER PPQ.4" 9mm, .40	
WALTHER PPQ M2.4" 9mm, .40	

WIDE LONG

MANUFACTURE	SHIM
SIG SAUER P320 9mm Standard	
SIG SAUER P320 .40 Standard	
SIG SAUER P320 .45 Standard	
SIG SAUER P226 9mm	
SIG SAUER P226 .40	
SIG SAUER P226R 9mm (Variants)	
SIG SAUER P226R .40 (Variants)	
SIG SAUER P220 .45	
SIG SAUER P220R .45	
SPRINGFIELD XD 9mm 5"	
SPRINGFIELD XD .40 5"	
SPRINGFIELD XD .45 5"	
SPRINGFIELD XDM 9mm 4.5"	
SPRINGFIELD XDM .40 4.5"	
SPRINGFIELD XDM .45 4.5"	
SPRINGFIELD XDM 9mm 5.25"	
SPRINGFIELD XDM .40 5.25"	
SPRINGFIELD XDM .45 5.25"	
S&W 5906TSW	
S&W 4566TSW	
FNP .45	
CZ P-09	
BERETTA 92	
BERETTA 92S	
BERETTA 92F (M9)	
BERETTA 92FS (M9)	
BERETTA 90-TWO	
BERETTA 92A1	
BERETTA 92A3	
BERETTA 96	
BERETTA 96A1	
BERETTA 92 Centruion	
BERETTA 92 Vertec	
BERETTA 92 Brigadier ELT	

WIDE STANDARD

MANUFACTURE	SHIM
SIG SAUER P320 9mm Compact	
SIG SAUER P320 9mm Carry	
SIG SAUER P320 .40 Compact	
SIG SAUER P320 .40 Carry	
SIG SAUER P320 .45 Compact	
SIG SAUER P320 .45 Carry	
SIG SAUER P229R 9mm	
SIG SAUER P229R .40	
SIG SAUER P229R 9mm DAK	
SIG SAUER P229R .40 DAK	
SIG SAUER P229R 9mm E2	
SIG SAUER P229R .40 E2	
SIG SAUER P229 9mm (Non Rail)	
SIG SAUER P229 .40 (Non Rail)	
SIG SAUER SP2022	
SPRINGFIELD XD(M) 3.8"	
SPRINGFIELD XD 9mm 4"	
SPRINGFIELD XD .40 4"	
SPRINGFIELD XD .45 4"	
WALTHER PPX 9mm	

OWNER'S MANUAL

CARE AND MAINTENANCE

Congratulations on your Safariland purchase. You have selected a product with construction technology that is unique and state of the art in the manufacturing of holsters, belts, and accessories.

The product you have received is constructed with a proprietary SafariSeven™ material. Care and maintenance of this product are dictated by the material from which it is constructed. Use of an incorrect cleaning material may result in damage to the finish of the product.

SafariSeven™ can be cleaned by wiping with a damp cloth. Any liquid or powder soap and water along with a scouring pad will assist in cleaning.

It is important to note that most natural man-made products may eventually “wear out” or become unsuitable for the function for which they were designed. Stress and strain placed on any given holster vary according to usage; therefore it is difficult to indicate a recommended replacement date. It is the user's responsibility to assure after use, that the holster is able to continue service within its design parameters.

It is the user's responsibility to inspect products daily for signs of excessive wear or loss of retention of the handgun, and tightness of all screws and hardware. If any possible problem is detected or any doubt exists, do not use. Contact the Safariland Customer Care at 800.347.1200.

Read and understand all owner's manuals, instructions, and guides prepared by the manufacturer your handgun.

CAUTIONS & WARNINGS

CAUTION: Prior to wearing the holster on duty, the user must accomplish a draw from a fully secured holster in less than two seconds while under simulated stress or life-threatening situation. Have a partner time a surprise command to completed draw.

A handgun seated in a new holster will fit more tightly than after a reasonable break-in period has occurred. Thus, the holster should not be used with a loaded handgun or on duty until the under two-second drawing standard indicated above is accomplished. Should the holster remain tight after a reasonable break-in period, apply a liberal amount of silicone spray to the inside of the holster. Should the holster continue to bind or remain tight and adjusting it does not help, **cease use immediately** and contact the Safariland Customer Care department at (800) 347-1200.

CAUTION: Practice and training as prescribed in this manual are mandatory prior to using the holster on duty. Do not use a loaded handgun during practice and training. Practice using the holster with an unloaded handgun until thoroughly competent and proficient in its safe use.

Regular practice to assure proficiency is using the holster must be continued as long as it is to be used. The amount of practice and training required will depend upon the dexterity, coordination and prior experience with holsters and handguns of each particular user.

Improper or careless use of a firearm and holster may result in serious injury or death. It is the user's responsibility to have thorough knowledge of and be properly trained in all aspects of firearm and holster safety and use.

- Do not place a loaded handgun in a holster without first testing the holster for proper fit with the handgun in an unloaded condition
- Do not carry any handgun with a round in the chamber unless you have received professional training in the use of the handgun and holster and are willing to assume responsibility and risk (including accidental discharge) of carrying a loaded handgun.
- If your handgun is equipped with a safety lever, be sure that safety is engaged when holstering the handgun.
- When drawing a handgun from a holster or placing it into a holster, do not place finger in the trigger guard or near the trigger guard. Position trigger finger adjacent to but away from the trigger and, if possible, support the tip of the finger on the front of the trigger guard.
- When putting a handgun in the holster always place thumb over the hammer or behind the slide.
- Never holster any semi-automatic handgun in a single-action mode (except handguns which are single action only; ex. Colt 1911 or the Browning Hi-Power).
- Do not attempt to cock a holstered handgun as this can cause severe damage to the handgun or holster or both and may contribute to an accidental discharge.
- Always place hand on the handgun and holster when running or performing other vigorous activity.
- Do not use customized, modified, worn or broken handguns or those that are not of original manufacturer's specifications in Safariland holsters.
- Do not, in any way modify, disassemble or remove any part from this holster.
- Do not expose this holster to extreme heat conditions.
- Do not leave holster in trunk of vehicle during extremely hot weather.
- Do not rely on any holster being “snatch proof”. There is no such holster. Rely only on extensive, proper training and vigilance.
- It is the user's responsibility to properly maintain the holster by checking components such as snaps, screws, etc for proper function.
- Be aware that handguns with lights mounted to them create an opening in the holster that could possible allow access to the trigger.

WARNING! Never store your Safariland holster or accessories near a heat source. Space heaters, radiators, heating registers, fireplaces, or other heating sources emit high temperatures that can deform or destroy the polymer from which many Safariland products are manufactured. The non-reflective surface on Safariland products will efficiently absorb radiant heat and can reach temperatures in excess of 200 F, even several feet away from certain heating source. Exposure to high heat in some cases can cause the handgun to be locked into place. If accidental high heat exposure has occurred immediately remove product from heat. Allow product to cool to room temperature and operate to ensure correct function.

Failure to heed these warnings or follow the operating instructions may result in accidental discharge of a handgun causing serious injury or death.

Safariland holsters are designed to carry specific handguns. Before use, be sure holster selected is designed to carry corresponding handgun. If there is any doubt, do not use the holster. Contact the Safariland Customer Care department at (800) 347-1200. Carrying a handgun in an ill-fitting or improper holster can result in serious injury or death.

The purchase and use of this Safariland holster is done at the sole and exclusive risk of the user.

OWNER'S MANUAL

WARRANTY

EXPRESS LIMITED WARRANTY FOR HOLSTER AND ACCESSORY PRODUCTS

Safariland™ (the “Company”) warrants its holster products to be free from defects in materials and workmanship for a period of two (2) years from date of purchase. This warranty is subject to the proper Care and Maintenance of the product and proper use of the product as detailed in the Consumer and Safety Information.

If you believe this product has any defects in materials or workmanship, cease use immediately and contact customer service for a remedy. If a product proves to be defective in material or workmanship, we will repair or replace the product and send it to you at the Company's expense. All returns must include the proof of purchase and documentation specifying the claimed defect.

This is a LIMITED WARRANTY, and is the sole and exclusive warranty of this product by the Company. It shall not be enlarged by any representations, descriptions, course of dealing, trade usage, rendering of technical advice, service or otherwise. Furthermore, it shall not be altered or expanded by any acts, statements, or agreements of any dealer, employee or agent of the Company (other than by a duly authorized officer of the Company).

THE COMPANY MAKES NO OTHER WARRANTIES EXPRESS, IMPLIED, OR STATUTORY, INCLUDING WITHOUT LIMITATION ANY IMPLIED WARRANTY OF FITNESS FOR A PARTICULAR PURPOSE OR MERCHANTABILITY.

IN NO EVENT SHALL THE COMPANY BE LIABLE FOR ANY PUNITIVE, EXEMPLARY, OR CONSEQUENTIAL DAMAGES, ANTICIPATED OR LOST PROFITS, INCIDENTAL DAMAGES, LOSS OF TIME, OR OTHER INDIRECT LOSSES OR EXPENSES THAT ARISE FROM ANY CAUSE RELATING TO THE PRODUCT, REGARDLESS OF THE FORM OF THE ACTION, WHETHER IN TORT (INCLUDING NEGLIGENCE), CONTRACT, STRICT LIABILITY OR OTHERWISE, AND REGARDLESS OF WHETHER THE COMPANY HAS BEEN ADVISED OF THE POSSIBILITY OF SUCH CONSEQUENTIAL DAMAGES. SOME STATES DO NOT ALLOW THE EXCLUSION OR LIMITATION OF INCIDENTAL OR CONSEQUENTIAL DAMAGES, SO THE ABOVE LIMITATION OR EXCLUSION MAY NOT APPLY TO YOU. THIS WARRANTY GIVES YOU SPECIFIC LEGAL RIGHTS, AND YOU MAY ALSO HAVE OTHER RIGHTS WHICH VARY FROM STATE TO STATE.

For any warranty issue, please contact customer care for a prompt resolution to your concern at the number provided below.

Safariland, LLC

3120 E. Mission Blvd.

Ontario, CA 91761

Customer Care: 800.347.1200 (USA Only) or 909.923.7300

THE SAFARILAND GROUP

OWNER'S MANUAL

SAFARILAND® USER'S GUIDE

MODELS 576, 577, 578, 579



SAFARILAND

READ AND UNDERSTAND ENTIRE MANUAL BEFORE USING HOLSTER

OWNER'S MANUAL

SAFARILAND® USER'S GUIDE



578

MODELS 576, 577, 578, 579

OPERATING INSTRUCTIONS

STEP 1

In order to draw a handgun from a Safariland® Model 576, 577, 578, or 579 holster, it is necessary to install on a dress or gun belt (the 578 with paddle can be used without a belt). The 576 is standard with a hi-ride molded belt loop in either 1.5" (38mm) or 1.75" (45mm) widths. The 577 holster comes with a slotted belt loop. The belt loop comes in a 1.5" (38mm) belt width with slots that can be cut to fit 1.75" (45mm) belt widths. Several belt loop variations are available to fit belts up to 2.25" (58mm). The 579 comes with a belt clip installed and fits belt widths from 1.5" (38mm) to 2.25" (58mm). The 578 comes with the same belt loop found on the 577 as well as a paddle and can be worn with or without a belt.

Each model has the same "3-Hole Pattern" used for mounting and therefore each attachment piece is interchangeable.

STEP 2

Insert unloaded handgun straight down into holster. When placing a handgun in the holster, do not place finger in trigger guard, or near the trigger. Position trigger finger adjacent to but away from the trigger and, if possible, support tip of finger on the front of trigger guard. While inserting the handgun in the holster, always place thumb over the hammer or behind the slide. Be certain handgun is thoroughly seated in holster with trigger guard lock engaged. While holstering weapon, also be sure to keep middle finger back away from the GLS™ lever to avoid pinching the finger.

STEP 3

To draw a handgun from the GLS holster, form a shooting grip on the pistol by closing the middle finger last. If the grip is indexed in the proper position, the middle finger will automatically press the GLS lever inward toward the bottom of the trigger guard, thus releasing the mechanism. The handgun can then be lifted straight up and out of the holster.

PLEASE READ CAREFULLY (YOUR HOLSTER MUST BE ADJUSTED BEFORE USE)

With proper adjustment, the 578 GLS Pro-Fit™ series holster is designed to fit a multitude of different guns in one holster body. Determine from Safariland's fit guide on the packaging that your firearm is listed. Also determine if the trigger shim is required for your pistol. Refer to the fit guide at www.Safariland.com (search 578) for the most updated fit information. As a general rule, your pistol will require the installation of the enclosed trigger shim if the trigger guard is less than ½" in width.

TO ADD HOLSTER SHIM

If the fit guide says your pistol requires the shim, simply remove the side screw and bottom attachment screw (see fig. 1).

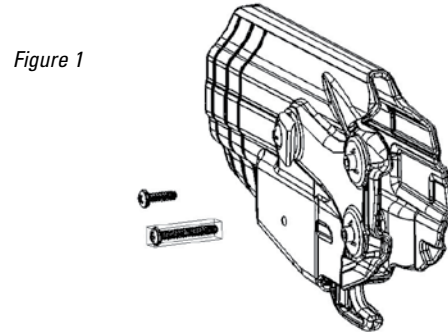


Figure 1

Remove the locking block (see figs. 2, 3, & 4) and install the shim by locking the shim to the inside of the trigger guard area of the block.

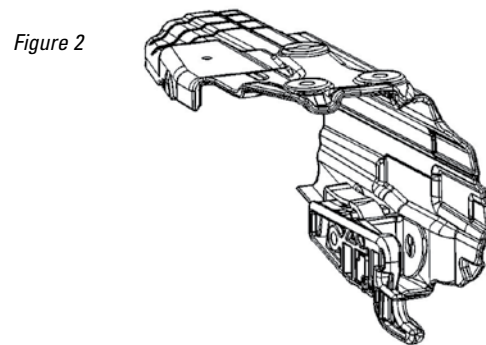


Figure 2

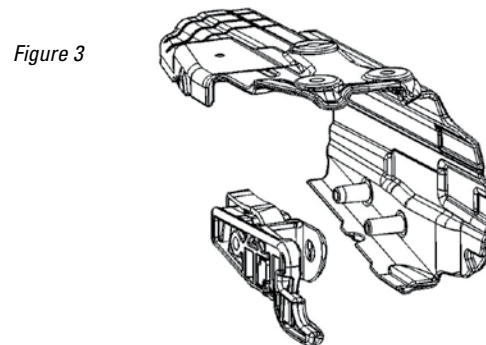
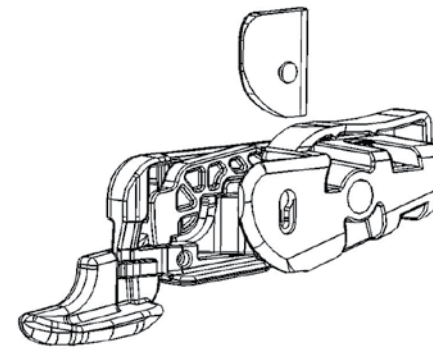


Figure 3

Figure 4



The shim can only fit in one position. The stud of the shim fits into the keyhole slot of the locking block (see fig. 5), and locks in place by pushing the shim tab down until the stud of the shim locks into the small end of the keyhole slot (see fig. 6). Fig 7 shows the shim in place.

Figure 5

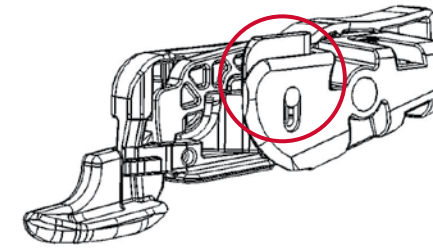


Figure 6

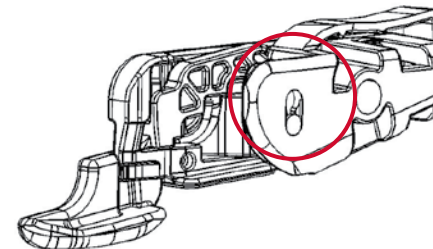
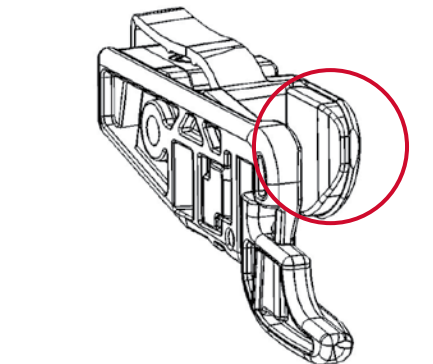
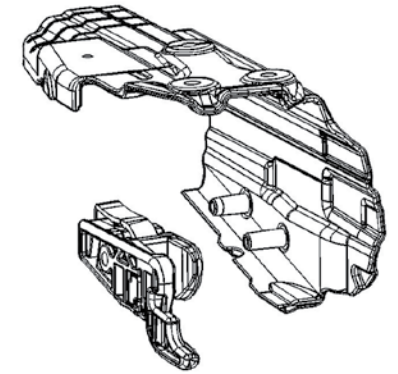


Figure 7



Replace the locking block back into the holster body and secure the cross and bottom screws (see fig. 8).

Figure 8



PROPER HOLSTER ADJUSTMENT

The remaining adjustment instructions are the same for the holster with or without the trigger shim in place.

Insure that the small recessed stainless Allen socket screw, located low on the back edge of the holster, (adjacent to the firearm's dustcover) is flush with the surface of the holster body. Place an unloaded pistol in the holster until it locks into place. Tighten the Allen socket screw clockwise with supplied wrench, until you have eliminated any loose movement of the pistol in the holster. Draw an unloaded pistol several times from the holster and make any final adjustments by loosening or tightening the Allen socket screw. You should find a balanced adjustment whereby the handgun locks and unlocks with equal force and the drawing motion is smooth.

To draw a handgun from the GLS Pro-Fit holster, form a shooting grip on the pistol by closing the middle finger last. If the grip is indexed in the proper position, the middle finger will automatically press the GLS lever inward toward the bottom of the trigger guard, thus releasing the mechanism. The handgun can then be lifted straight up and out of the holster.

ATTENTION: If you should ever experience the inability to lock your handgun into the holster, while re-holstering, check to see if the pivoting trigger lock has been accidentally pushed down into its locked position.

While the GLS retention system will not, in normal use, go into its "locked" position without inserting a handgun, it can go into a locked position if something other than the correct handgun is inserted into an empty holster. For instance, if one were to push the pivoting trigger lock down with a finger or other object, the trigger lock will go into the locked position. If this should occur you will not be able to re-holster your handgun. If this does occur, putting the holster back into an "un-locked" position is straightforward. Simply depress the GLS lever and use your finger to press the pivoting lock back into the unlocked or open position. After confirming that the locking mechanism is back into its original condition, the holster will be ready for use again.