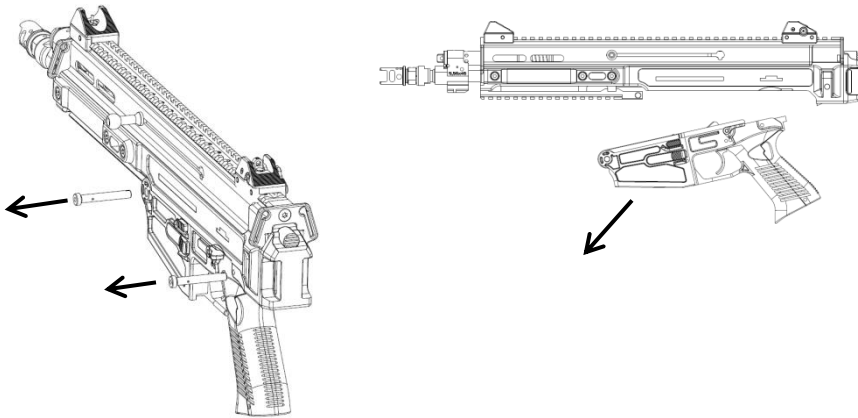


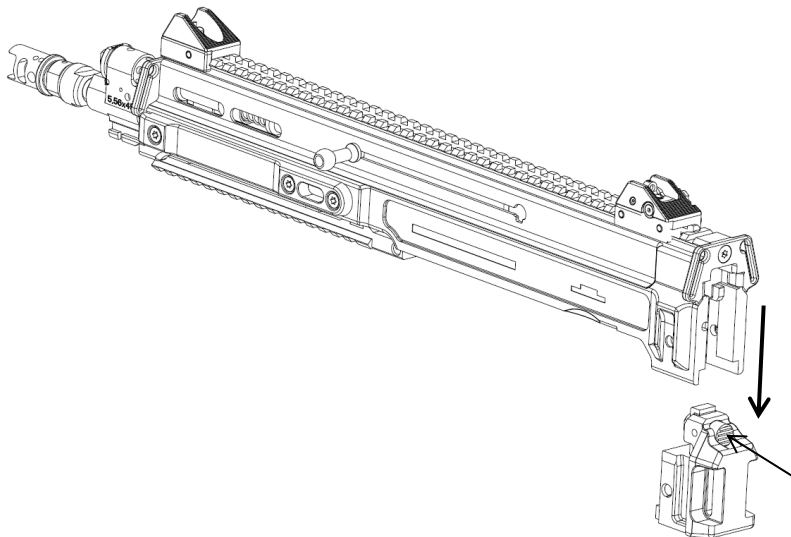
CZ 805 Bren Pistol Arm Brace Adapter Installation

Factory Rear-head Removal

- A. Inspect the firearm and verify that it is unloaded.
- B. Remove the pistol grip with the magazine well by first pressing out both disassembly pins. Then pull the pistol grip with the magazine well away from the receiver.

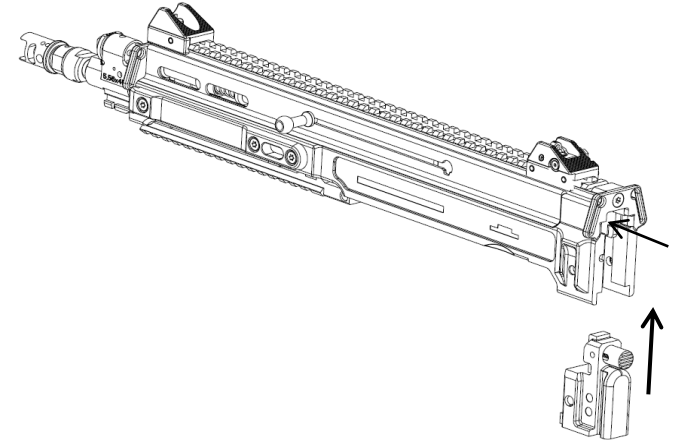


- C. Press the disassembly button fully and remove the rear head by sliding downwards.

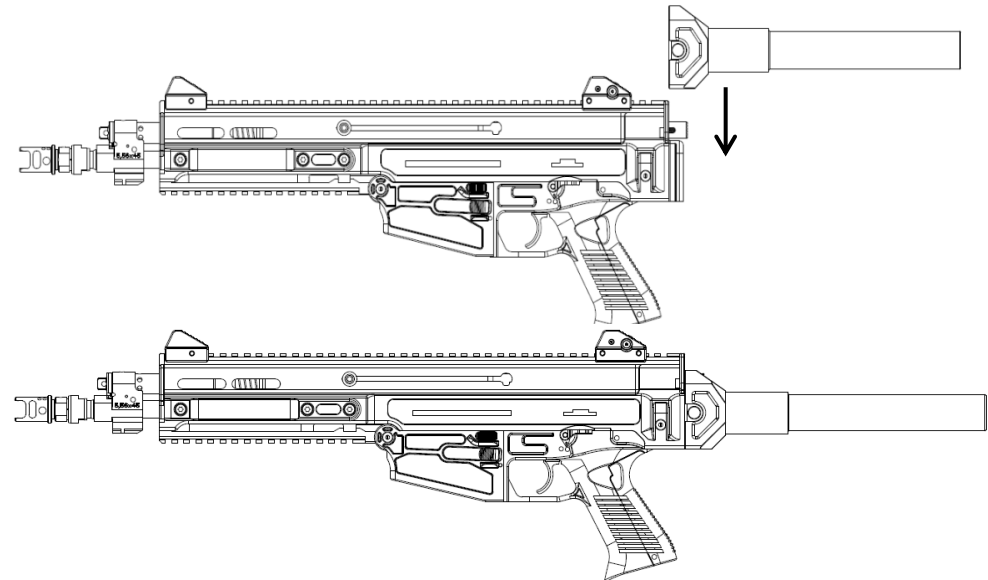


Adapter Installation

- A. Screw the KAK buffer tube into the adapter then attach your arm brace.
- B. Install the adapter rear head into the back of the receiver by placing it into the back of the receiver and sliding it upwards. Once the rear head stops press in on the rear of the recoil spring assembly to allow it to seat completely.



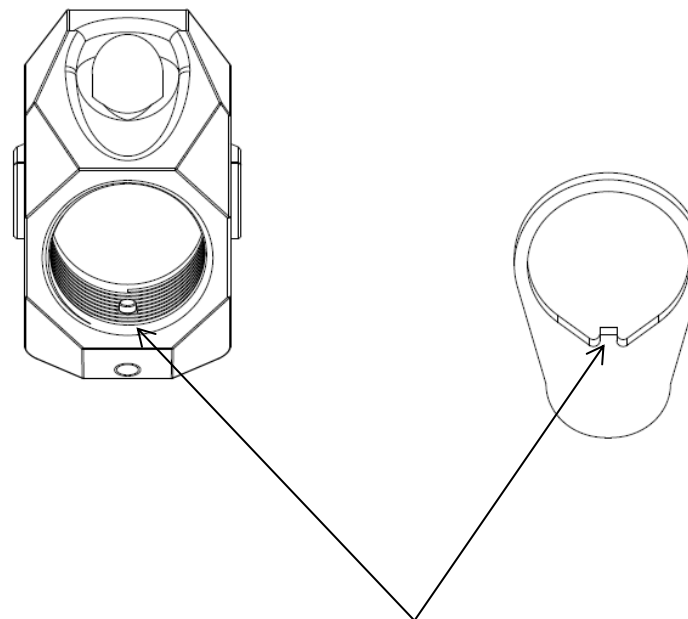
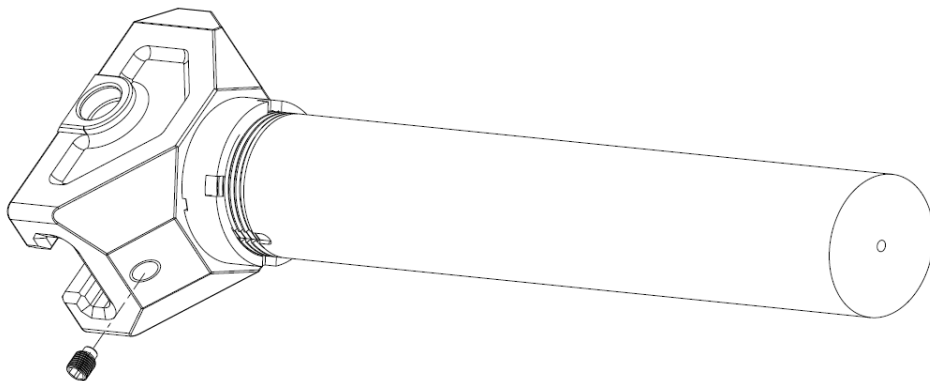
- C. Install the pistol grip with the magazine well in reverse order of removal.
- D. Slide the adapter, buffer tube and Brace assembly on to the rear head from the top. Allow the disassembly button to lock into place. (Note: Arm Brace not included in the illustration)



CZ 805 Bren Pistol Arm Brace Adapter Installation

Notes

- The rear head, adapter and buffer tube can be removed as a unit during for cleaning.
- A keyed AR-15 pistol buffer tube may be used.
 - Located on the bottom side of the Adapter is a threaded hole designed to use 10-32 x 1/4 Half Dog socket set screws. The set screw is designed to align AR-15 buffer tubes without the use of an AR-15 receiver endplate.
 - Set screws should be installed with blue Loctite and set to 5-8 inch pounds.
 - Use of a castle nut is recommended when not using the supplied tube.



Set screw replaces the buffer tube timing of the Receiver endplate

The sole intended use of the CZ 805 Bren Pistol Arm Brace Adapter is to allow the attachment of an arm brace or other similar product to the pistol so that it may be fired in a manner consistent with all applicable laws. Users of the CZ Bren 805 Pistol Arm Brace Adapter bear the sole responsibility for ensuring their use of the product complies with all applicable local, state, and federal firearms laws