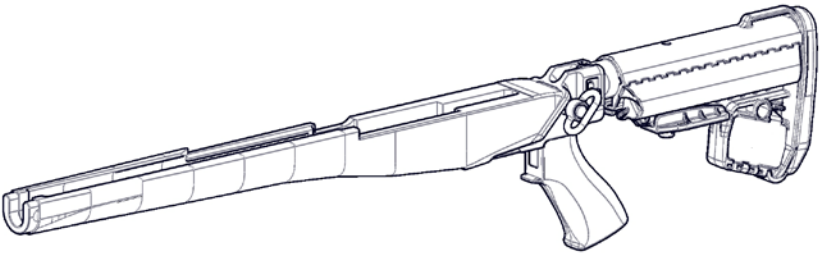




VLTOR WEAPON SYSTEMS

M14/M1A Modstock

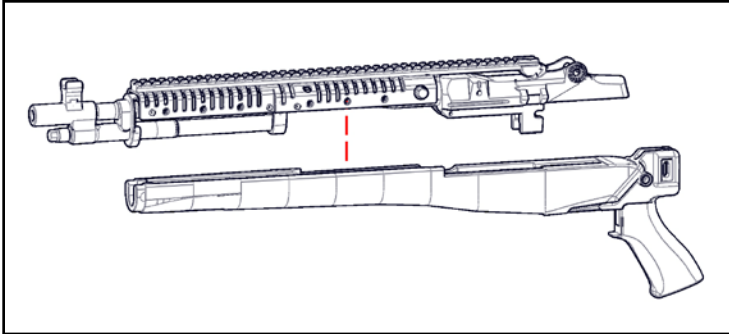


STOP
READ
THIS!

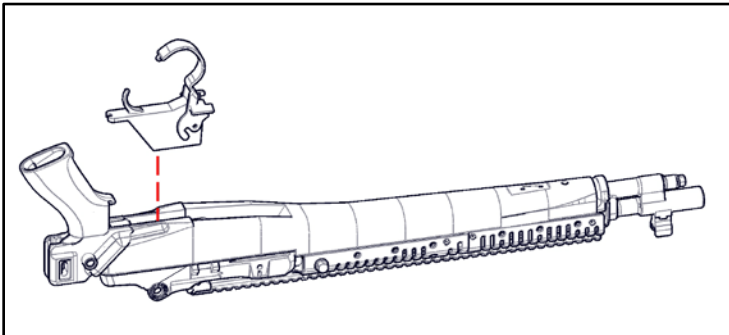
Improper installation can result in damage. Do not attempt installation if you are not familiar with the firearm, tools and techniques mentioned. You are responsible for any damage or injury resulting from the improper use or installation of this product.

WARNING:
Make sure firearm is unloaded of any live cartridges.

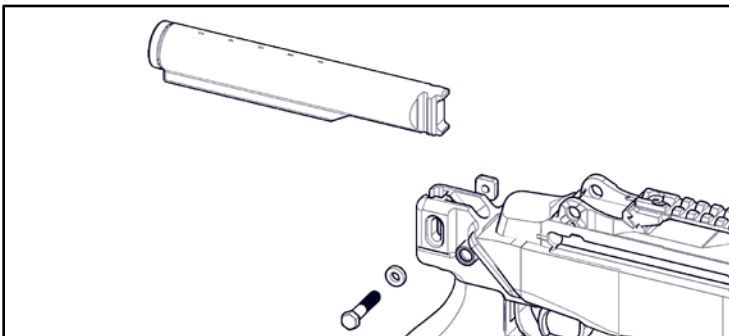
1. With original stock removed, drop barreled action into M1A Modstock.



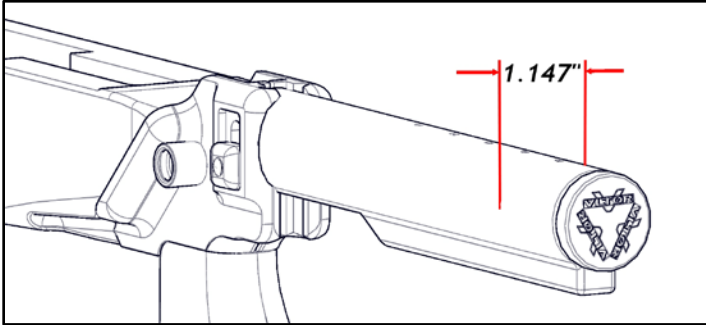
2. Install trigger group to secure stock.



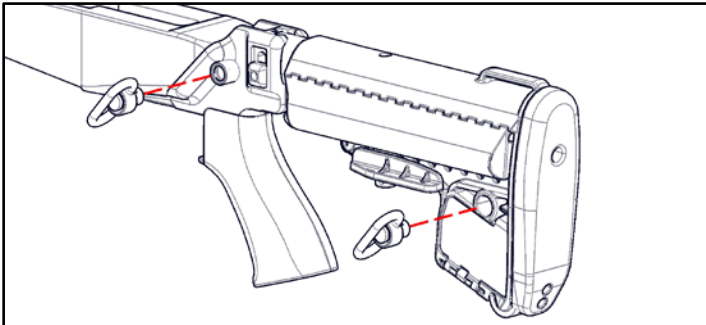
3. Slide Receiver Extension Tube into Adapter dovetail. Adjust to preferred height and secure using Square Nut, M14 Special Bolt, and Washer.



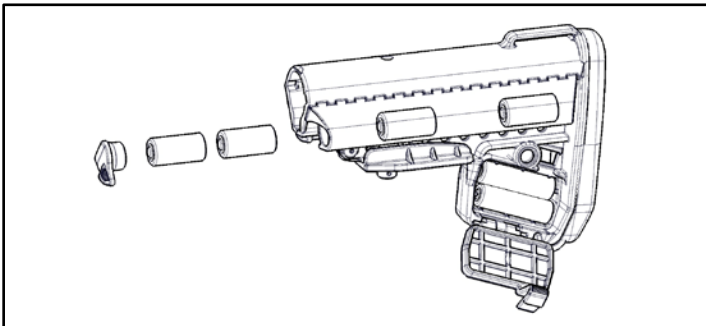
Stock Info - The stock and receiver extension are both of the "MilSpec" diameter. As such, the stock may be used on any other MilSpec sized extension, and any other MilSpec stock may be used on M1A Modstock.

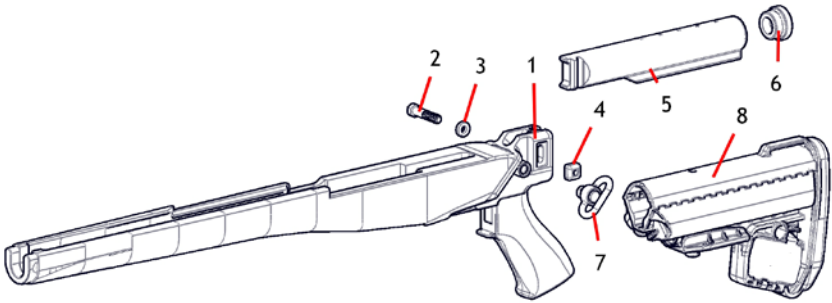


Sling Mounting - The M1A Modstock features multiple mounting points for a Quick Detachable Sling. Additional QD Sling Swivels can be purchased through Vitor (part # QDS).



Compartment Storage - The trapdoor compartment (water-resistant) is designed to hold a pair of AA batteries, while the cheekweld compartments (waterproof) are designed to hold four CR123 "Surefire" batteries on each side, but are capable of holding AA batteries, ear plugs, bore snakes, lube, etc.





- 1 - M1A Adapter
- 2 - M14 Special Bolt
- 3 - Washer
- 4 - Square Nut
- 5 - Receiver Extension Tube
- 6 - Receiver Extension Cap
- 7 - QD Sling Swivel (QDS)
- 8 - EMOD Buttstock

Vltor Weapon Systems

www.vltor.com - support@vltor.com

(520) 408-1944 Fax (520) 293-8807

Thank you for choosing Vltor!

Copyright 2007 - Vltor Weapon Systems, all rights are reserved.

VISIT OUR ONLINE STORE NOW

WWW.VLTORSTORE.COM