

MULTI-LINGUAL OPERATION MANUAL

POWERLINE

MODEL 201 By Daisy



16+ For Ages 16 And Older With Adult Supervision.

.177 cal. (4.5 mm) PELLET ☞
.177 cal. (4.5 mm) STEEL AIRGUN SHOT ☺

WARNING: NOT A TOY. ADULT SUPERVISION REQUIRED. MISUSE OR CARELESS USE MAY CAUSE SERIOUS INJURY, PARTICULARLY TO THE EYE. MAY BE DANGEROUS UP TO 183 YARDS (168 METERS).

READ ALL INSTRUCTIONS BEFORE USING. THE PURCHASER AND USER SHOULD CONFORM TO ALL LAWS GOVERNING USE AND OWNERSHIP OF AIR GUNS. AIR GUNS ARE RECOMMENDED FOR USE BY THOSE 16 YEARS OF AGE OR OLDER.

Daisy Outdoor Products, Rogers, AR 72757-0220 U.S.A.
800-643-3458, www.daisy.com Rev. 08/07

ACCORDING TO CALIFORNIA LAW

WARNING: DO NOT BRANDISH OR DISPLAY THIS AIRGUN IN PUBLIC - IT MAY CONFUSE PEOPLE AND MAY BE A CRIME. POLICE AND OTHERS MAY THINK THIS AIRGUN IS A FIREARM. DO NOT CHANGE THE COLORATION AND MARKINGS TO MAKE IT LOOK MORE LIKE A FIREARM. THAT IS DANGEROUS AND MAY BE A CRIME.

WARNING: THIS GUN CAN CAUSE THE LOSS OF AN EYE. READ AND FOLLOW THE INSTRUCTIONS. DO NOT COCK THE GUN UNTIL YOU ARE READY TO SHOOT. IF YOU DO COCK IT AND DECIDE NOT TO SHOOT, POINT IT IN A SAFE DIRECTION AND FIRE IT. AN UNCOCKED, UNLOADED GUN IS THE SAFEST. ACCIDENTS HAPPEN FAST, AND THE LOSS OF AN EYE IS A TERRIBLE THING. SHOOT SAFELY.

This safety alert symbol indicates important safety messages in this manual. When you see this symbol, be alert to the possibility of personal injury and carefully read the message that follows.

It is your responsibility as the owner of this gun to make certain that anyone using the gun is instructed in its safe and proper operation.

As the proud owner of a Daisy air gun, you have become part of an American tradition which dates back to the time when your great-grandfather was a small boy. Your new Daisy gun is the result of more than 100 years experience by Daisy in the manufacture of quality products.

Although your new Daisy is not a firearm, it is a gun and should be treated with care and respect. Always remember, the first and most important safety aspect of any gun is the shooter. All safeties are mechanical devices and the shooter is

the only part of the system that can make a gun safe – or unsafe. DON'T DEPEND ON MECHANICAL SAFETIES – think ahead and avoid situations that might lead to accidents.

FOR YOUR SAFETY AND THE SAFETY OF OTHERS, READ COMPLETE OPERATING INSTRUCTIONS BEFORE ATTEMPTING TO SHOOT GUN. Guns differ in their operations and you are never ready to fire any gun until you are thoroughly familiar with it. Read the operating instructions and WITHOUT LOADING ANY AMMUNITION, proceed several times through the operating steps with your gun (dry fire the gun at a safe target) so that you will be able to operate your Daisy properly and safely.

HOW TO OPERATE

WARNING: Be sure gun is always pointed in a safe direction.

- Step 1. PUT "ON SAFE"
- Step 2. COCK
- Step 3. LOAD
- Step 4. AIM AT SAFE TARGET
- Step 5. TAKE "OFF SAFE"
- Step 6. FIRE

Step 1. PUT "ON" TRIGGER SAFETY

Push trigger safety from left to right so no red is showing. It is a good practice to get in the habit of keeping the trigger safety "ON" until ready to fire the gun (Fig. 2).

Step 2. COCK THE GUN

- A. Unlatch the slide by pushing down on the cocking slide lever. The slide will move to the rear slightly (Fig. 3).
- B. Firmly grasp the rear of the slide and pull back until you hear a click (Fig. 4).
- C. Push the slide firmly forward until you hear a second click and the slide latches in place (Fig. 5).

Step 3. LOAD

- NOTE:** The pistol must be cocked before it can be loaded.
- LOADING BBs**
- A. Tilt the barrel up by grasping at the arrows (Fig. 6).
 - B. Point the pistol downward and load up to 40 BBs into the magazine (Fig. 7).
 - C. After loading close the barrel by moving the barrel downward securely (Fig. 6).

FEEDING BBs

Your pistol has a gravity feed system. To ensure proper operation, you should always raise the muzzle up slightly while cocking to ensure that a BB rolls into firing position. When raising the muzzle, be sure the front sight is pointed upward since the gun will not feed properly if it is on its side.

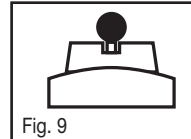
WARNING: Failure to hold the pistol properly may cause the BB to not feed correctly and may cause the gun to jam when it is fired. This is a dangerous condition. See Step 6 for instructions on clearing a jam.

LOADING PELLETS

- A. Tilt the barrel up by grasping at the arrows (Fig. 6).
- B. Point the pistol downward and load 1 pellet into the barrel (Fig. 8).
- C. After loading close the barrel by moving the barrel downward securely (Fig. 6).

Step 4. AIM AT SAFE TARGET

To be a consistent marksman, use the correct sight picture each time you fire the pistol (Fig. 9).



CAUTION: Sight or point the gun only in a safe direction. BBs will bounce or ricochet if they hit a hard surface. Do not shoot at water.

Step 5. TAKE OFF SAFETY

When you are certain that the target, backstop and surrounding area are safe, push the trigger safety from right to left until red is showing (Fig. 2).

WARNING: Keep gun pointed in a safe direction.

Step 6. FIRE

After completing the operation steps, your gun may be fired by gently, but firmly, squeezing the trigger.

CAUTION: Never carry a cocked gun. Cock it only when ready to fire. Even with the manual safety "ON" SAFE (no red showing), your gun is in a fully loaded condition and must be handled with care.

WARNING: If the gun does not fire after loading, cocking, feeding and squeezing the trigger, the gun may be jammed. This is a dangerous condition which must have immediate and careful attention.

CLEARING A JAM

- A. Keep the gun pointed in a safe direction.
- B. Make sure the safety is "ON" SAFE (no red showing).
- C. Cock the gun.
- D. Tilt the barrel to the open position.
- E. Clear any obstruction from the barrel with a cleaning rod. If you are unable to clear the gun, DO NOT RETURN THE GUN TO THE RETAILER, return the gun to the Daisy Service Department. (See Repair of Daisy Guns section.)

HOW TO UNLOAD

NOTE: The pistol must be cocked before it can be unloaded. After shooting is complete, the gun should be unloaded before storing it. To unload the gun always put "ON" SAFE (no red showing), open the barrel and remove the BBs from the built-in magazine.

- A. Put "ON" SAFE (no red showing)
- B. Cock the gun
- C. Tilt the Barrel upward
- D. Invert the gun and let the BBs fall out of the built-in magazine through the loading port.
- E. Close the barrel
- F. Point in a safe direction
- G. Position the safety "OFF" SAFE (red showing)
- H. Shoot the gun in a safe direction to release the pressure from the cocking spring and shoot any remaining BB from the gun.

CAUTION: Do not assume the gun is empty of BBs when the BBs are removed from the gun. Always treat the gun as if it were loaded and ready to fire.

CAUTION: Even though you have gone through an unloading procedure, continue to treat the gun as though it were loaded. Don't point at anything you don't intend to shoot. Always put "ON" SAFE (no red showing).

STORAGE

Store your pistol unloaded. Put "ON" SAFE (no red showing), remove all the BBs or Pellets from the pistol's built-in magazine. Keep pistol from children and untrained shooters. Store ammunition separately from the pistol to keep them from untrained shooters.

PROPER CARE

With care a periodic cleaning, your Model 201 will provide many years of shooting enjoyment. As is the case with conventional firearms, abuse, neglect, and continued exposure to the elements will impair the performance of any airgun. Learn to take care of you Model 201 and it will serve you well.

EXTERIOR PARTS

All the plastic parts may be cleaned with a damp rag and mild soap or detergent. Avoid using strong detergent, abrasive cleaning compounds or solvents that may scratch or damage surfaces.

LUBRICATION

Your Model 201 pistol was lubricated when built and should not require any additional lubrication.

REPAIR OF POWERLINE GUNS

WARNING: A gun that is not operating properly may be dangerous. It should be kept safely from use by anyone until repaired or destroyed. Do not try to take the gun apart. It is difficult to reassemble, and improper reassembly can cause a hazardous condition.

LIMITED ONE YEAR WARRANTY

For one year from date of purchase, Daisy will repair or replace this gun, free of charge, if defective in material or workmanship. Service is available by returning the gun to Daisy Outdoor Products. Attach to the gun your name and address and telephone number, description of problem and proof of date of retail purchase (sales slip). Package and send to Daisy Outdoor Products, transportation prepaid. This Warranty gives you specific legal rights, and you may also have other rights which may vary from state to state.

GUNS OUT OF WARRANTY

If your Daisy needs repair, call Customer Service at 1-800-713-2479 for repair or replacement charge. Please make sure you state model number stamped on barrel. We accept Visa and Mastercard. When paying by check or money order, please send with gun. Attach to the gun your name, street address (Not Post Office Boxes) and description of the problem. Package and send, transportation prepaid, to Daisy Outdoor Products, Service Department. Daisy will repair the gun or replace it with a reconditioned gun of the same model, if available, otherwise with a model of equivalent quality.

Daisy Outdoor Products
Service Department
308 West Stribling Drive
Rogers, AR 72756

NOTE: We recommend returning guns via UPS.

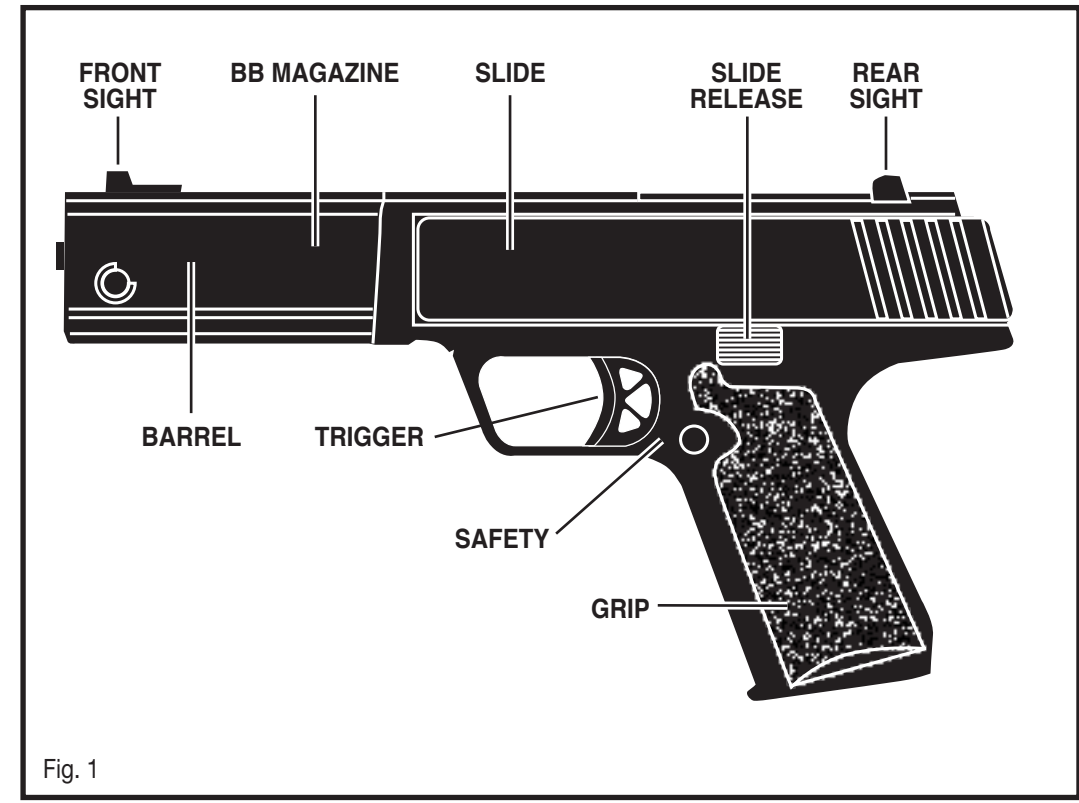
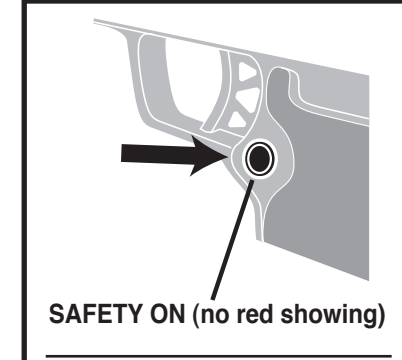
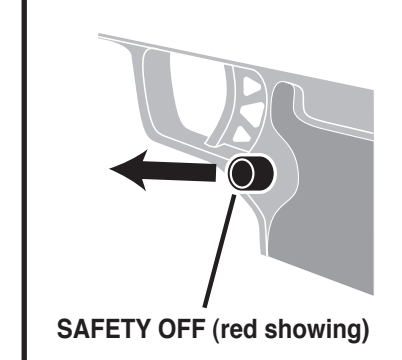


Fig. 1



SAFETY ON (no red showing)



SAFETY OFF (red showing)

Fig. 2

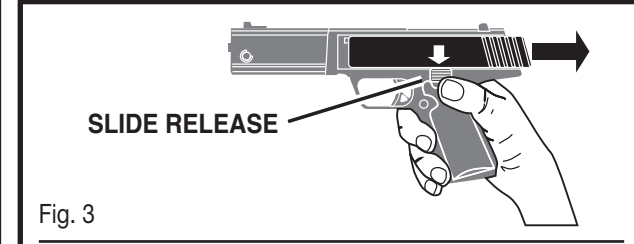


Fig. 3

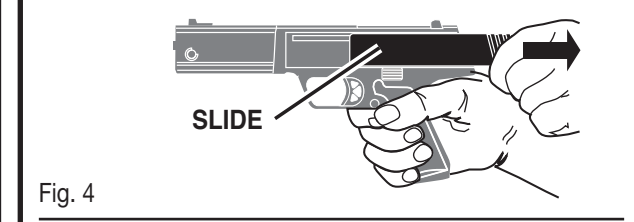


Fig. 4

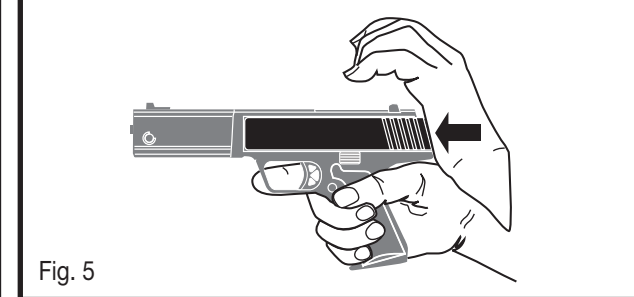


Fig. 5

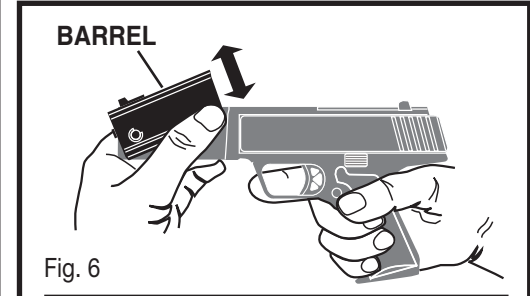


Fig. 6

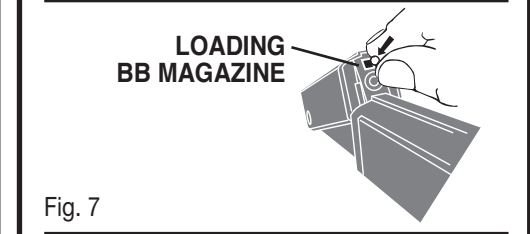


Fig. 7

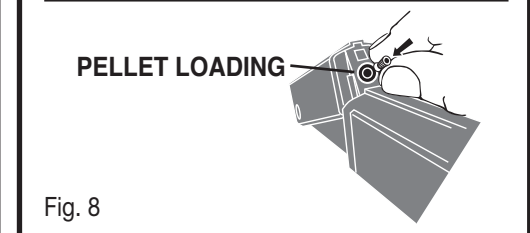


Fig. 8