



21541-21542 - KXP Ratcheting Rhino Grip

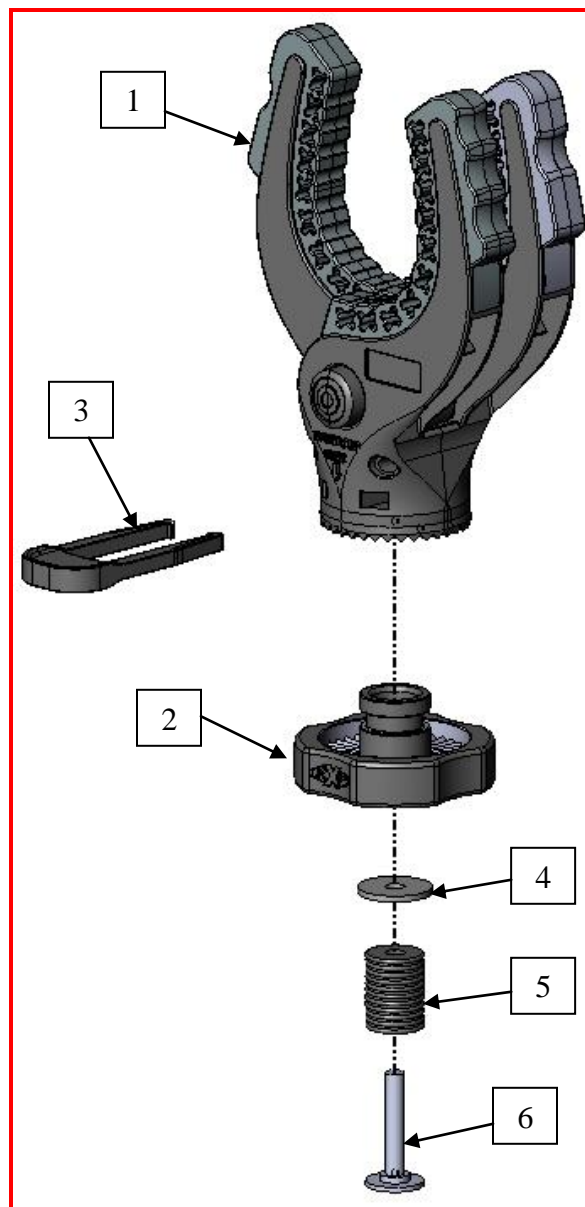
21541 Parts List:

Item	Description	Quantity
1	Ratcheting Rhino Grip	2
2	KXP Ratcheting Base	2
3	Kwik Clip	2
4	Nylon Washer	2
5	Rubber Expander*	2
6	Threaded Rod	2

Designed to hold guns, bows, fishing poles, shovels, etc., safely and securely while traversing on an ATV or UTV.

21541 Assembly:

1. Place the rubber expander on the threaded rod. Place the nylon washer on top of the rubber expander and thread the rod into the threaded insert in the bottom of the base.
* NOTE: the rubber expander for both systems has a counter-bored relief that mates to the threaded rod. Please be sure to install correctly!
2. Place the expander in the Lock & Ride hole and twist the base clockwise. As you twist the threaded rod will compress the rubber expander and secure the grip to your Sportsman ATV Rack.
3. Place the Rhino Grip into the base, orient the grip as desired and secure with the Kwik Clip.
** NOTE: The Kwik Clip can only be inserted on one side of the grip, the push button side. There is a note on the grip also letting you know what side the clip has to be used on. **
4. To remove from the rack, simply turn the base counter clockwise and remove from the Sportsman Rack.
5. To clamp your tool, simply push the single arm down on the tool. The arm will clamp down and hold item secure.
6. To release, push the push button on the grip and the arm will swing open to release the tool.



Kolpin now offers many accessory options for Polaris ATV and UTV models. For a complete listing of these KXP accessories and Kolpin's KXP Plungers that are compatible with Polaris® Lock & Ride® System, be sure to check out www.kolpinpowersports.com/products/kxp-accessories.html, as new items will be coming soon.

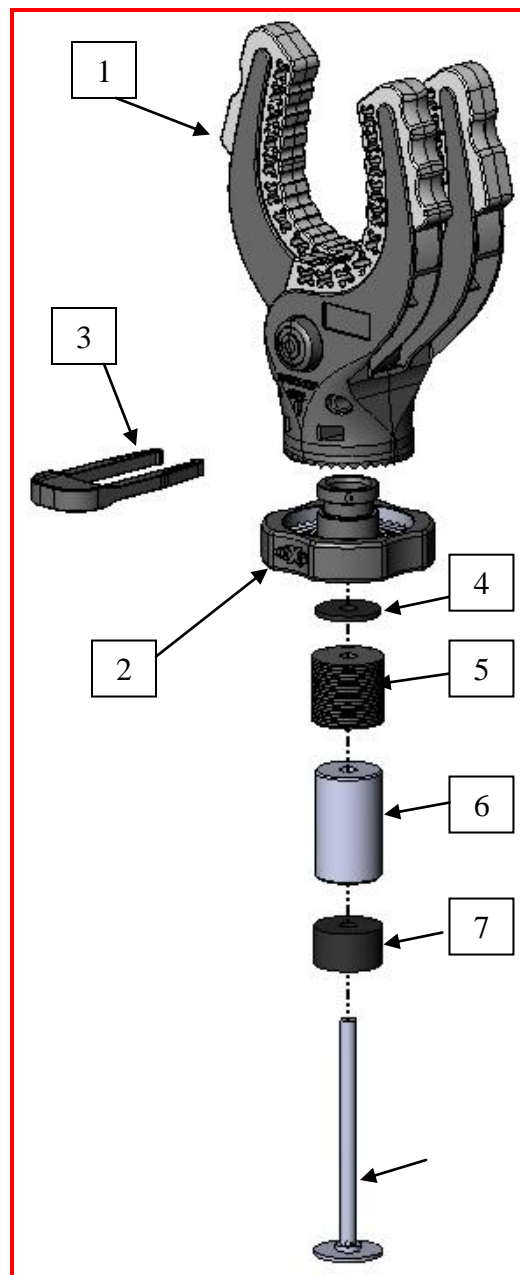


21542 Parts List:

Item	Description	Quantity
1	Ratcheting Rhino Grip	2
2	KXP Ratcheting Base	2
3	Kwik Clip	2
4	Nylon Washer	2
5	Large Rubber Expander	2
6	Plastic Spacer	2
7	Small Rubber Expander*	2
8	Threaded Rod	2

21542 Assembly:

1. Place the smaller rubber expander on the threaded rod.
* NOTE: the rubber expander for both systems has a counter-bored relief that mates to the threaded rod. Please be sure to install correctly!
2. Slide the plastic spacer onto the threaded rod.
3. Slide the larger rubber expander onto the rod.
4. Place the nylon washer on top of the large rubber expander and thread the rod into the threaded insert in the bottom of the base.
5. Place the expander in the Lock & Ride hole on the bed rail and twist the base clockwise. As you twist the threaded rod will compress the rubber expanders and secure the grip to your Polaris Ranger.
6. Place the Ratcheting Rhino Grip into the base, orient the grip as desired and secure with the Kwik Clip.
7. To remove, simply turn the base counter clockwise and remove from the bed rail.



Kolpin now offers many accessory options for Polaris ATV and UTV models. For a complete listing of these KXP accessories and Kolpin's KXP Plungers that are compatible with Polaris® Lock & Ride® System, be sure to check out www.kolpin.com, as new items will be coming soon.