



**J P E N T E R P R I S E S**

**J P S I L E N T C A P T U R E D S P R I N G**

*Patent Pending*

Product:  
JPSCS-AR15,  
JPSCS-AR10  
Page: 1/2

#### **PARTS INCLUDED**

- JP Silent Captured Spring
- Rifle-length spacer

**CAUTION: REMOVE THE MAGAZINE AND VISUALLY CHECK THE CHAMBER TO ENSURE THAT YOUR FIREARM IS UNLOADED.**

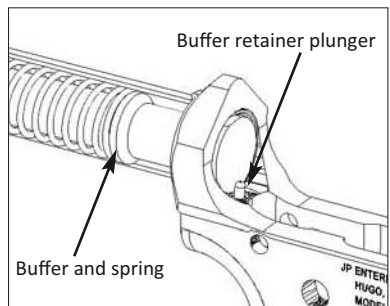
The **JP Silent Captured Spring** is a drop-in module replacement for the traditional buffer plunger and buffer spring components of the AR-15 and AR-10 platforms. By all but eliminating the raspy scraping of the buffer spring against the interior of the extension tube, the JPSCS yields a virtually silent-cycling action with a dramatic reduction in friction and vibration during live fire. To achieve the utmost from the JPSCS, we recommend lightly oiling the spring and guide rod of the unit periodically. If the unit becomes fouled, clean with hot, soapy water, blow dry with compressed air and apply light oil (rather than grease) to the spring and guide rod.

The JPSCS is designed and intended for semi-automatic use only and is not recommended for full-auto applications. Also, while the JPSCS has been tested in numerous rifles without malfunction, this is no guarantee of function in all rifles. As with any gas gun component, there are simply too many possible rifle configurations, barrel lengths and calibers available within both the AR-15 and AR-10 platforms to test and verify universal function of the JPSCS system. See reverse 2 for known compatibility issues, and if the unit does not function in your rifle, please contact JP via phone or email to arrange a return of the JPSCS to the original point of sale.

During regular rifle maintenance, check the tightness of the hex head screws at the ends of the JPSCS. If they are loose, remove them, clean the threads and reapply Loctite® 263.

## **INSTALLATION INSTRUCTIONS**

1. Remove the existing buffer and spring by slightly compressing the buffer and then compressing the buffer retainer plunger with a small punch. Release the buffer slowly, removing it and the buffer spring from the extension tube.
2. If you are using a rifle-length stock and extension tube, insert the white spacer into the extension tube. This spacer is not needed for carbine stocks/tubes.



Visit us at [www.jp Rifles.com](http://www.jp Rifles.com)

Rev. 09.13

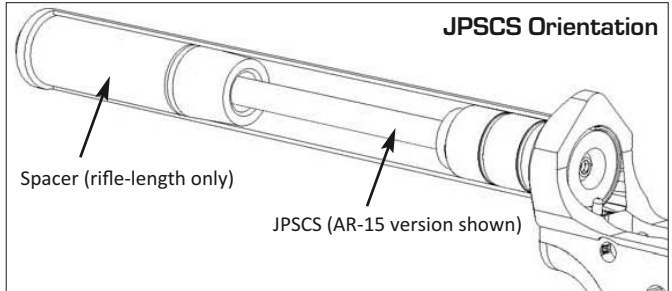
**P.O. Box 378, HUGO, MN 55038 | VOICE: 651-426-9196 | FAX: 651-426-2472**

## REMOVAL OF BUFFER RETAINER PLUNGER AND SPRING

While the JPSCS will function with or without them, you can remove the buffer retainer plunger and spring at this point. With these components removed, installation and removal of the JPSCS is much easier, though be aware the traditional buffer and spring components will be cumbersome to use without the retainer and plunger.

To remove the retainer plunger and spring, you'll first need to remove the stock and buffer tube from the receiver to gain access, after which you can reinstall the extension tube and stock taking care not to lose or damage the rear takedown pin detent and spring.

3. Install the JP Silent Captured Spring into the buffer tube oriented as shown. You may have to depress the hammer to the cocked position or a little further to allow enough clearance



around the trigger components. Likewise, on certain two-stage triggers, you will have to hold the hammer in the half-cocked position to achieve sufficient clearance.

4. Reassemble the upper and lower assemblies with the front pivot pin and slowly lower the upper into position. Watch carefully as the receivers are closed to verify that the SCS buffer head contacts the bolt carrier. If you are not certain if there is a gap, finish reassembling the rifle and then shake it back and forth gently listening for the sound of the SCS sliding back and forth in the buffer tube. The unit should not be moving freely.

The precise length of the SCS was chosen to accommodate most rifles, but if you detect a gap between the bolt carrier and SCS, this is due to slight variations in the manufacturing tolerances of the buffer tube, bolt carrier and receivers. To shim this gap, the best solution we've found is to simply place a quarter in the buffer tube before installing the SCS. It will not be necessary to use more than one, and you should not use extra shimming to "preload" the SCS. We offer alternate rate springs for this purpose.

### COMPATIBILITY

JPSCS-AR15: Rifle will not cycle with Primary Weapon Systems (PWS) direct impingement bolt carrier.

JPSCS-AR10: Unit will not function with longer Armalite carbine-length extension tubes unless the spacer is modified to accommodate the extra length. It will also not function with the Rock River Arms LAR-8 due to its longer bolt stroke.

**THANKS FOR YOUR BUSINESS!**

Visit us at [www.jp Rifles.com](http://www.jp Rifles.com)

Rev. 09.13

P.O. Box 378, HUGO, MN 55038 | VOICE: 651-426-9196 | FAX: 651-426-2472