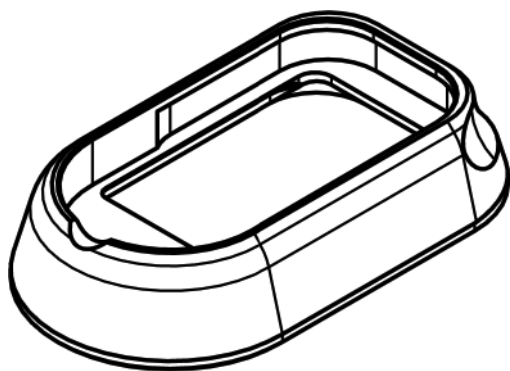


ALG FLARED MAGWELL (AFM)



ALG Defense

READ THIS FIRST

Firearm safety is **YOUR** responsibility. You must memorize and put into practice the **Four Rules of Firearm Safety**.

1. Assume every weapon is loaded.
2. Keep your finger off the trigger until you are ready to shoot.
3. Do not let the muzzle point at anything you are not willing to destroy.
4. Know your target and what is beyond.

The ALG Flared Magwell (AFM) is designed to fit Gen 3 Glock 17 and 22 pistols. It will not fit Gen 4 pistols and its compatibility with other Gen 3 Glock pistols is unknown.

The AFM is needed to make speed reloading faster by decreasing the precision needs to insert a magazine into the pistol. Additionally, the flare of the AFM acts as a ledge to spread the recoil impulse into the bottom of the gripping hand.

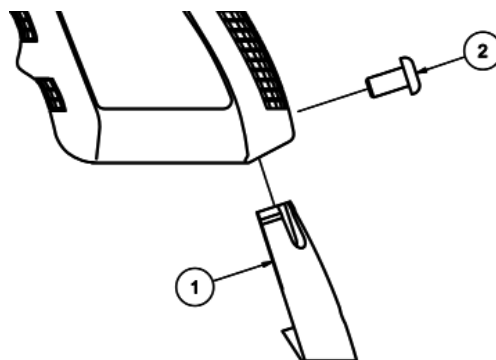
Note: Since the AFM is made from aircraft aluminum and hardcoat anodized it should be recognized that it will lightly scratch or scuff the pistol where it comes in contact with the plastic pistol frame.

INSTALLATION INSTRUCTIONS

1. Unload pistol and make safe.
2. Insert the brass pistol grip plug into the grip and push up into the grip until the mounting hole in the pistol frame lines up with the threaded hole in the brass pistol grip plug. (Figure 1.1)

3. Install the 10-32 button head cap screw through the pistol frame and into the brass pistol grip plug (Figure 1.2).

Figure 1:



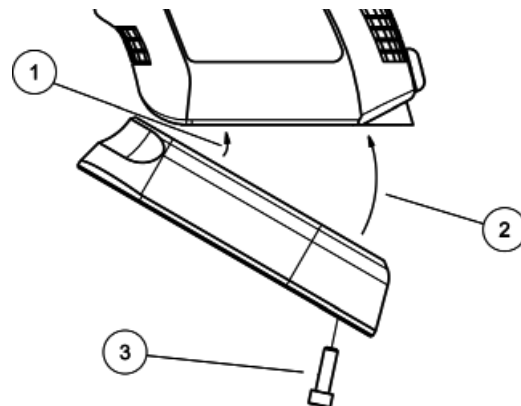
(Note: It is not recommended to use threadlocking compounds on the two screws used to secure the AFM, however if a semi-permanent installation is desired Loctite 222 purple locking compound may be used. Do not use blue or red or green locking compounds.)

4. Take a magazine that has been verified to fall freely from the magwell and try its fit and ability to fall freely from the pistol. If the test mag does not fall free it will be necessary to hand fit the brass pistol grip plug to the inner grip frame. To do this start by trying to identify where in the magwell it is tight. We have intentionally made the small "swoop" at the start of the brass pistol grip plug as a starting point for fitting.

(Note: On all of the ALG test guns, the magazines have had no problem with fitting correctly and falling free. However, due to variations in the plastic frame it may be possible for the brass pistol grip plug to distort the magwell enough so that magazines do not fall free.)

5. Now take the magwell and install it according to **Figure 2**.

Figure 2:



Start with the magwell at an angle and push the front of the magwell (Figure 2.1) up onto the grip frame then swing the back end around (Figure 2.2). Push upward with enough force to secure the magwell. Now install the 4-40 socket head cap screw that will secure the magwell to the brass pistol grip plug (Figure 2.3).

6. Perform another free fall test with **all** the magazines that will be used with your pistol. If magazines do not fall free it may be necessary to further fit the magwell to your pistol.

7. If you have any questions or issues please call ALG Defense.

Thank you for your purchase of the ALG Flared Magwell (AFM).

ALG Defense, Inc.

800 North Wales Road

North Wales, PA 19454

Tel: (610) 635-8937 | Fax: (484) 388-4373