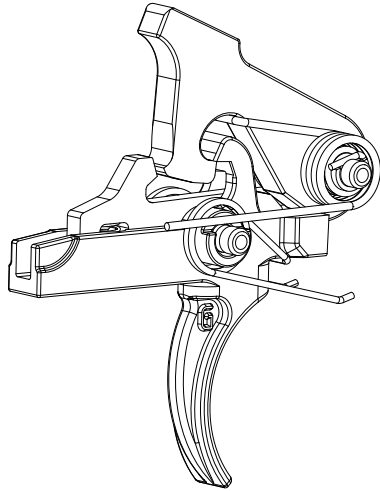


Geissele 2 Stage (G2S) Trigger Installation Instructions



GEISSELE[®]
AUTOMATICS
We Manufacture Confidence[®]

READ THIS FIRST

Firearm safety is YOUR responsibility. You must memorize and put into practice the 4 Rules of Firearm Safety.

1. Assume every weapon is loaded.
2. Keep your finger off the trigger until you are ready to shoot.
3. Do not let the muzzle point at anything you are not willing to destroy.
4. Know your target and what is beyond.

The Geissele 2 Stage (G2S) Trigger will lighten the trigger pull relative to a standard trigger. This lightened trigger pull will make the firearm easier to discharge. You must recognize and accept this fact before installing this trigger. If you do not want a lighter than standard trigger pull or are not willing to accept responsibility for the safety of your firearm, yourself, and those around you, do not install this trigger. Geissele Automatics recommends installation only by a certified gunsmith only.

INSTALLATION INSTRUCTIONS

1. Unload rifle and make safe. Remove upper receiver and move safety selector to FIRE position before removing existing trigger.
2. Remove existing trigger and clean receiver. It is not necessary to remove the safety selector. However the safety selector must be in the FIRE position so the G2S will fit underneath the safety selector.
3. Remove the trigger pin from the trigger.
4. Install trigger into rifle. Align trigger pin bore with receiver pin holes. Insert trigger pin into receiver, through trigger/disconnector, and into receiver on opposite side. Do not force the pin. The pin is a slide fit into the receiver, trigger and disconnector. If the various components are not aligned, manually align them when looking through the opposite side of the pin hole.

5. Install hammer pin retainer onto cutout on right side of hammer. Align straight leg with flats as shown in the detail view of hammer pin retainer on page 2.

6. Make sure the hammer spring is installed correctly on the hammer. The spring legs are toward the hammer strike face and away from hammer sear. It is possible to install the hammer spring backwards so this must be checked by comparing with the picture of the hammer spring on the opposite page.

7. Place a drop of lubricant in the bore of the hammer pivot.

8. Install hammer into receiver with hammer spring legs on top of the trigger pin. Insert hammer pin into receiver, through hammer, and into receiver on opposite side. The end groove on the hammer pin must be on the right side of the weapon (magazine release side). (Note the Geissele G2S pins have grooves on both ends of the pin so the orientation of the pin does not matter if the Geissele pins are used.) The hammer pin retainer will snap into the side groove in the hammer pin keeping the hammer pin in place.

9. Apply a small amount of lubricant in the following locations and as shown on page 2:

- Each side of the disconnecter above the trigger pin;
- Hammer and trigger sears;
- Face of the disconnecter;
- Hammer tail where it contacts the disconnecter;
- Top of each side of the hammer spring where the spring contacts the receiver wall.

10. Check safety operation: With the hammer cocked and the safety selector set to the SAFE position, pull the trigger hard. The hammer should not fall.

11. Check trigger reset: Set safety selector to FIRE. Dry fire weapon and keep trigger held back. Pull charging handle all the way back and release, letting the bolt carrier snap forward. The hammer should not fall. Release trigger. Hammer should be caught by the trigger.

12. Check for the presence of a second stage: Set the safety selector to FIRE. Pull the trigger through the first stage until it comes to a distinct stop—this is the second stage. Applying additional pressure to the trigger will allow the weapon to discharge.

Maintenance of the Geissele G2S consists of occasionally placing a drop of lubricant on the locations shown in #9 above. Recommended lubricant is CLP or equivalent; alternatively, a high quality grease may be used on the trigger/hammer sears and disconnecter contact surfaces.

When the trigger and lower receiver well become very dirty (such as when firing with a suppressor), it is not always necessary to remove the trigger group for cleaning. Spray down the trigger group with electrical contact cleaner to remove residual oil and dirt. Next, use compressed air to blow off the trigger group and then flush liberally with a light lubricant, such as CLP or equivalent. Blow off excess lubricant with compressed air and lubricate as noted above.

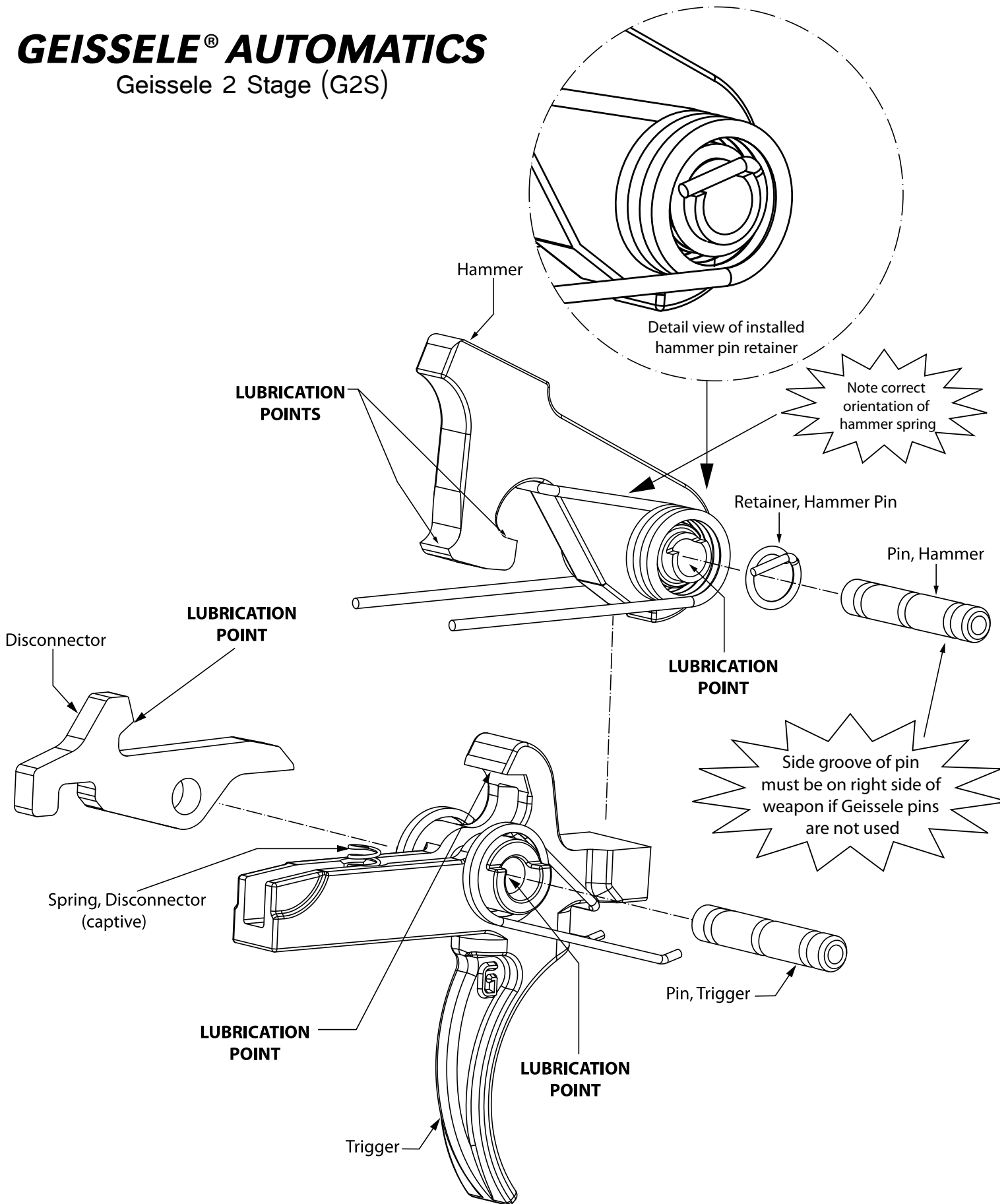
Contact Geissele Automatics with any questions.

Please visit our website at www.geissele.com

Geissele Automatics, 1920 W. Marshall Street, Norristown, PA 19403
Tel: 610-272-2060 | Fax: 610-272-2069 | E-mail: info@geissele.com

GEISSELE® AUTOMATICS

Geissele 2 Stage (G2S)



GEISSELE® AUTOMATICS - We Manufacture Confidence®

1920 W. Marshall St. Norristown, PA 19403 | Tel: 610-272-2060 | Fax: 610-272-2069 | www.geissele.com