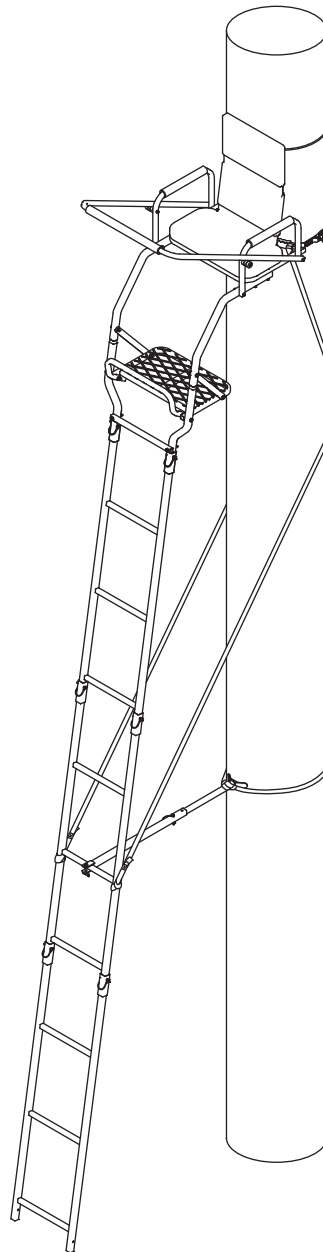




Operator's Manual
RE647
Deluxe Ladder
Stand

Maximum Height - 16' 5" to shooting rail
Maximum Field Rating - 300 lb
Tree Diameter Range - 12" to 20"



PRODUCT MEETS
INDUSTRY STANDARDS
RECOGNIZED BY



PARTICIPATING MEMBER

**Wear Your
Harness!**



Get parts online at
www.HuntRiversEdge.com



P/N: 23712
REV1: 03/10/16
© 2016 RETI
All Rights Reserved

INTRODUCTION

Follow these few simple instructions and your ladder stand will provide you many years of trouble-free pleasure. Instructions should be kept in a safe place and reviewed at least annually.

CONTENTS

Introduction/Warranty	2
Warnings.....	3-4
Inspection and Maintenance Schedule.....	4
Assembly Instructions	5-7
Set-Up and Use Instructions.....	8-9
Illustrated Parts Breakdown.....	10-11

WARRANTY

RETI offers a one year warranty for all components of the treestand. These warranties apply to the original owner with a proof of purchase. These warranties begin on the date of purchase by the first retail consumer and continue for the period specified above. These warranties apply to products that are not modified, abused or used in a manner that deviates from the product's intended usage. Minor fading in color is normal and is not covered by warranty. Any corrosion of painted surfaces that occurs as a result of paint being removed or damaged is also not covered by warranty. RETI offers no other warranty expressed or implied. Products for which warranty work has been approved must be sent directly to RETI and performed by RETI. **To obtain warranty service and/or replacement instructions, you must obtain prior approval from RETI before shipping your package to us by calling our customer service department at 800-450-3343 or by writing to: RETI, P.O. Box 755, 1160 Eighth Avenue, Cumberland, WI 54829 for a return material authorization number (RMA#).** All items must be shipped prepaid. RETI will, at no charge, repair or replace, in RETI's sole discretion, any product that satisfies the conditions stated above. RETI retains the right to change models, specifications and price without notice.

This equipment has been manufactured under strict quality and safety guidelines. As with any equipment of this type, full understanding of the instructions and its use is mandatory and imperative for the safety of its user. RETI is not responsible for any damages or injuries sustained due to improper use or modification of any of its products, or resulting from any use which deviates from the product's intended usage. RETI is not responsible for any injuries sustained due to failure to read and adhere to the instructions for use. Any misunderstanding or questions regarding the products of their use should be directed to RETI prior to any use. **All RETI treestands are sold with a full body harness ("Fall Arrest System") that meets standards set by the Treestand Manufacturer's Association ("TMA").** It is the owner's sole responsibility to inspect the product regularly for damage, improper installation, or conditions that could jeopardize the ultimate safety of the product. Failure to use or improper use of the provided Fall Arrest System may result in serious injury or death. **ALWAYS wear the provided Fall Arrest System while using this product. Owner is responsible to understand and follow product field weight rating and must never exceed maximum weight rating.** RETI is not responsible for any malfunction or injury resulting from normal wear and tear, damage caused by improper use, improper maintenance, negligence or accidents. This product, if used safely as intended, will provide trouble free service for the useful life of the product. We hope you will enjoy the quality of our products for years to come, and have a safe hunt.

MODEL RE647

MAXIMUM USE HEIGHT - 16' 5" TO SHOOTING RAIL

MAXIMUM OCCUPANCY - ONE (1)

TOTAL WEIGHT LIMIT - 300 LB

TREE DIAMETER RANGE - 12" TO 20"

 **WARNING**

- ▲ This product carries strict height and weight restrictions. **Do Not** use this product if you exceed the total weight limit. Please note that the total weight limit includes the user(s) and their equipment.

 **WARNING**

- ▲ **When hunting from a treestand falls can occur any time after leaving the ground causing injury or death.**
- ▲ **Always** wear a Fall Arrest System (FAS) comprising a full body harness at all times after leaving the ground. You must stay connected at all times after leaving the ground while using climbing and hang-on treestands. Single safety belts and chest harnesses are no longer allowed and shall never be used. If you are not wearing a full body harness properly attached to the tree that is protecting you from a fall, do not leave the ground.
- ▲ **Read and understand** all of the manufacturer's Warnings and Instructions and use all safety devices provided by the manufacturer. Contact the manufacturer for any questions. Failure to do so could result in injury or death.
- ▲ **Never** exceed the total weight limit of the treestand.
- ▲ **Never** use a treestand during inclement weather such as rain, lightning, windstorms or icy conditions and end your hunt and return to the ground if inclement conditions arise.
- ▲ **Never** use a treestand while using drugs (even prescription drugs) or alcohol.
- ▲ **Never** use a treestand while feeling ill, nauseous or dizzy, or if you have a prior medical condition that could cause a problem, that is, heart condition, joints that lock-up, spinal fusions, etc., or if you are not well rested. **Never** sleep in stand.
- ▲ **Never** use a treestand on a dead, leaning, diseased or loose barked tree, or a utility pole. **Always** avoid electrical power lines.
- ▲ **Never** rely on a tree branch for support.

 **WARNING**

- ▲ **Never** jump or bounce on a treestand to seat it to the tree.
- ▲ Pull up a bow, backpack, or firearm or other equipment only after being secure in the treestand and a firearm must be pulled up with it unloaded, chamber open, and muzzle down.
- ▲ **Always** inform someone of the hunting location, where the treestand will be located and the expected duration of the hunt.
- ▲ A signal device such as a mobile phone, radio, whistle, signal flare or personal locator device (PLD) must be on your person and readily available at all times.
- ▲ Inspect the treestand and all safety devices each time before use and **Do Not** store a treestand outdoors when not in use.
- ▲ **Never** modify your treestand in any way by making repairs, replacing parts, or altering it except if explicitly authorized in writing by the manufacturer.
- ▲ Practice installing, adjusting and using your treestand at ground level prior to using it at elevated positions. Study your new stand to become familiar with all of its features and design. Doing so will confirm that the product is manufactured, assembled and installed correctly.
- ▲ Instructions (written and video) shall be kept in a safe place and reviewed at least annually. It is the responsibility of the treestand owner to furnish the complete instructions to any person who borrows or purchases the treestand.
- ▲ Use at least three (3) people to install or take down a ladder treestand.
- ▲ The criss-cross straps/ropes and stabilization devices must be attached before climbing to the platform.
- ▲ When installing a ladder stand, always bounce on the first rung to set the ladder into the ground according to manufacturer's instructions before proceeding to climb any higher.
- ▲ Check every ladder section connection every time you use the stand before you leave the ground. If ladder sections are separating, do not use the stand.
- ▲ Check the ground under the stand to make sure it is firm and level. Sloping ground or uneven surface (one side on a rock) can cause your ladder to tilt or shift off the tree as you climb.
- ▲ **Always** maintain three (3) points of contact when climbing a ladder treestand. Proper three-point contact means having either two feet with one hand or one foot with two hands on the step portion of the ladder or climbing aid at all times.

⚠ WARNING

- ▲ **Always** lean forward as you climb and attach your harness to the tree before securing the platform to the tree and stepping onto the platform.
- ▲ **Never** exceed the stated maximum use height.
- ▲ **Do Not** use this product until you have watched the included treestand safety DVD, understand it, and practiced the techniques for safe hunting discussed in this DVD.
- ▲ Read and perform all inspection and maintenance tasks before each and every use. Replace any questionable components immediately with RETI original replacement parts.
- ▲ **Do Not** crush tubing when tightening bolt assemblies! Identify and familiarize yourself with all parts before you start. Bolt identification chart can be found in the back.
- ▲ Double check assembly steps to be certain you have correctly assembled this product.
- ▲ **Never** use any product that has not been maintained or inspected properly - Your life depends on it!
- ▲ Replace any and all treestand straps every two years or when any signs of damage or wear exist before.
- ▲ **Always** wear the appropriate footwear when using a ladder treestand. A good non-slip safety boot is important to your personal safety. Be especially careful that boot laces do not get hooked on the stand or any of its components (tuck shoelaces into boots before climbing).

INSPECTION AND MAINTENANCE SCHEDULE

BEFORE EACH USE PERFORM THE FOLLOWING:

- Inspect all webbing, rope, cord, and strap assemblies for wear or damage.
- Inspect cables and/or cable ends for damage or kinking.
- Inspect all hardware and chain components for damage.
- Inspect for any structural damage to product. (If any exists call RETI customer service.)
- Inspect all nut and bolt assemblies to be certain none are loose.
- Inspect for any missing parts.
- Lubricate all pivot and slide together points with powder graphite, petroleum jelly or silicone spray to prevent noise, wear and rust.
- Inspect entire product for any rust, corrosion, cracks, freezing, excessive heat or rotting damage that may effect the safety of your product. Discard any questionable product.
- Inspect entire product for any structural damage - pay close attention to all weld locations. (Return to factory for repair or discard product if any damage is found.)
- Using correct wrenches inspect all nut & bolt assembly locations and snug up any that may be loose. Be careful not to crush tubing when tightening!
- Inspect and check operation of all cables, cable ends, cord, rope, webbing, and strap or chain assemblies. Replace with factory new any item or assembly that shows signs of wear, damage, kinking, or functions incorrectly.
- Inspect seat. Replace any seat with factory new that shows signs of structural damage or wear.
- Inspect all hardware for wear or damage, also be sure you have no missing parts.
- Never modify your stand in any way by making repairs, replacing parts, or altering adding or attaching anything to it except if explicitly authorized in writing by the manufacturer.

ASSEMBLY INSTRUCTIONS

Tools needed: two 13mm wrenches and two 10mm wrenches

IMPORTANT ASSEMBLY TIP:

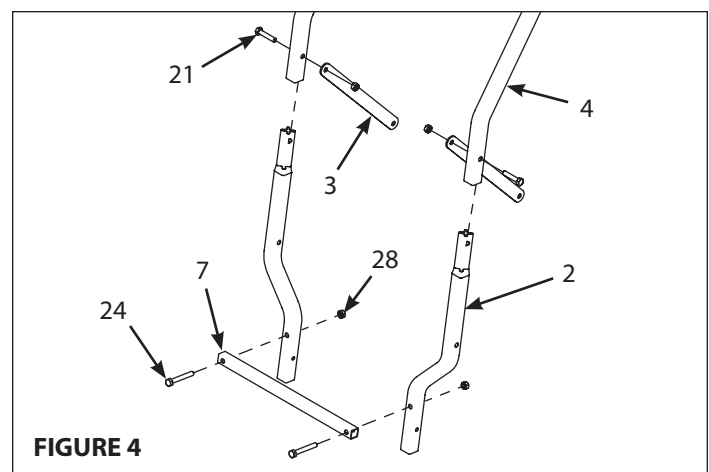
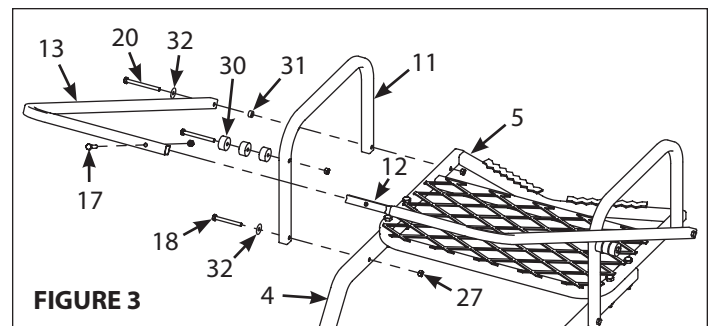
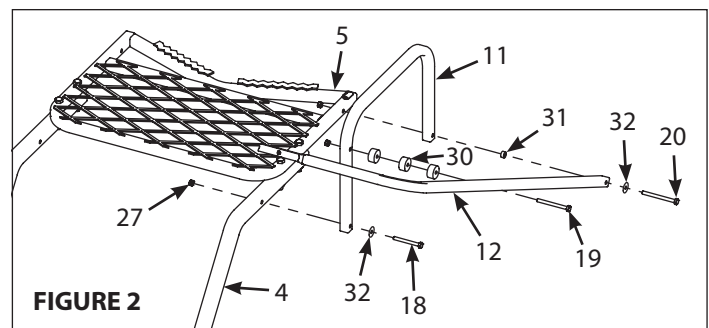
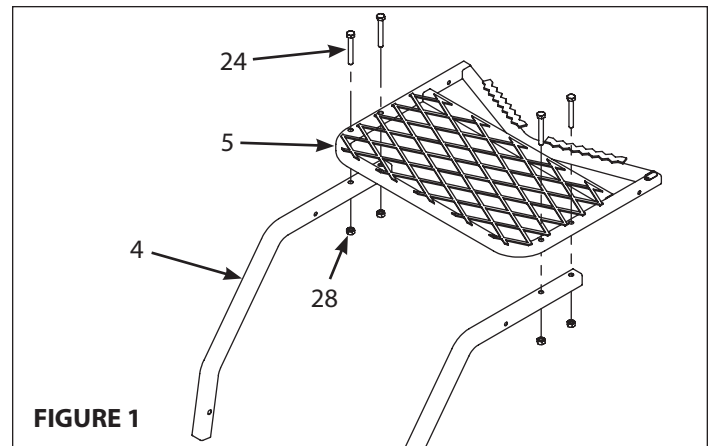
Do not tighten any nut and bolt combinations completely until all parts are assembled together! Finger tighten plus one turn of a wrench only! This will temporarily hold the lock nut on the bolt while helping alignment of all parts! After all parts are assembled together, all nut & bolt combinations must be completely tightened.

All assembly must be done in this order at ground level before uprighting.

Do not remove labels/warnings from product, they are there for your safety.

Recommended for adult use only.

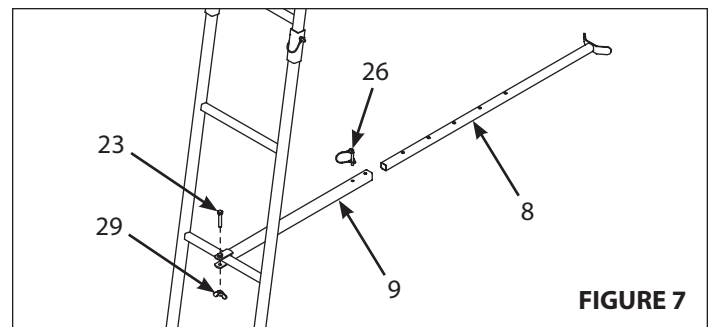
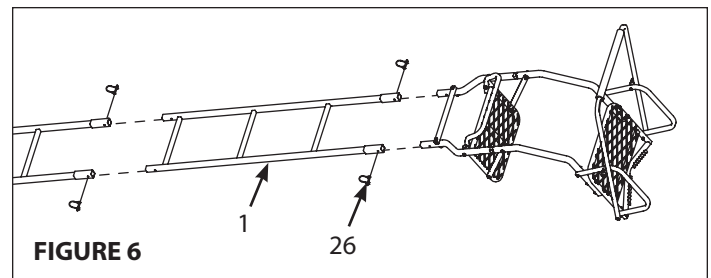
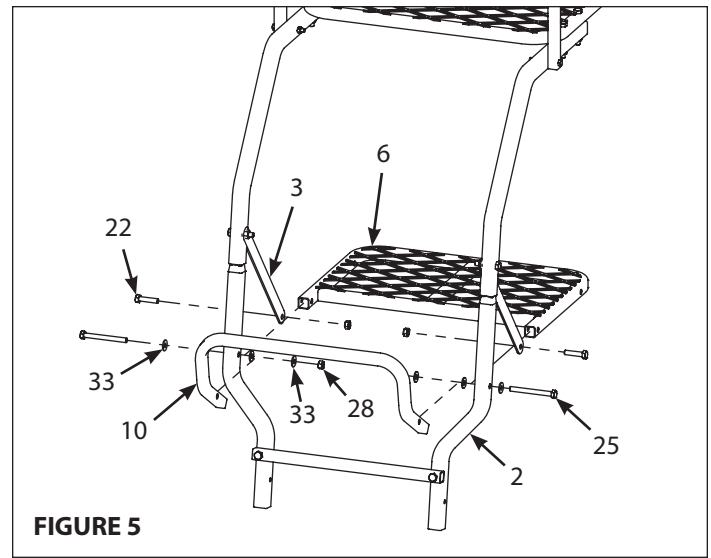
1. Attach the two seat side rails (4) to the seat platform (5) using four M8 x 60mm bolts (24) and four M8 nuts (28). **SEE FIGURE 1**
2. Attach the front of one armrest (11) to the side rail (4) using one M6 x 55mm bolt (18), one yellow washer (32) and one M6 nut (27). **SEE FIGURE 2**
3. Attach the rear of armrest (11) and shooting rail "A" (12) to seat platform (5) using one M6 x 70mm bolt (20), yellow washer (32), polymer washer (31) and M6 nut (27). Put polymer washer between armrest and shooting rail "A" and the yellow washer on the outside of shooting rail "A". **SEE FIGURE 2**
4. Attach the front of the other armrest (11) to the opposite side rail (4) using one M6 x 55mm bolt (18), one yellow washer (32) and one M6 nut (27). **SEE FIGURE 3**
3. Attach the rear of armrest (11) and shooting rail "B" (13) to seat platform (5) using one M6 x 70mm bolt (20), yellow washer (32), polymer washer (31) and M6 nut (27). Put polymer washer between armrest and shooting rail "B" and the yellow washer on the outside of shooting rail "B". **SEE FIGURE 3**
4. Slide shooting rail "A" (12) into shooting rail "B" (13) and secure the assembled shooting rail with one M6 x 30mm bolt (17) and one M6 nut (27). **SEE FIGURE 3**
5. Attach three plastic spacers (30) to both armrests (11) using two M6 x 65mm bolts (19) and two M6 nuts (27). **SEE FIGURES 2 AND 3**
6. Slide the flared platform rails (2) into the already assembled seat side rails (4). Insert two M8 x 35mm bolts (21). Attach the two support bars (3) to the inside of seat side rails (4) with the same two M8 x 35mm bolts (21) and finger tighten with two M8 nuts (28). **SEE FIGURE 4**
7. Attach the top ladder rung (7) to the front of flared rails (2) using two M8 x 60mm bolts (24) and two M8 nuts (28). **SEE FIGURE 4**



8. Attach the foot rest (10) and the square ends of the foot platform (6) to the flared platform rails (2) using two M8 x 80mm bolts (25), six yellow washers (33) and two M8 nuts (28). The yellow washers (33) should be on all four sides of the foot rest (10) and on the outside of the flared platform rails (2). **SEE FIGURE 5**
9. Attach the free end of the two support bars (3) to the rounded end of the foot platform (6) by using two M8 x 40 mm bolts (22) and two M8 nuts (28). Tighten all loose hardware at this time. **SEE FIGURE 5**
10. a. Attach the two armrest covers (14) to the armrests (11) and the shooting rail cover (15) to the shooting rail (12 & 13) by wrapping around tubing and attaching Velcro together.
b. Attach the seat cushion (16) to the seat platform (5) by wrapping straps around metal frame and securely fastening all plastic buckles together. Pull straps tight so seat is not loose.
11. Slide together the three ladder sections (1) and the assembled top platform section on the ground and secure all sections together using six spring lock pins (26). **SEE FIGURE 6**
12. Assemble the horizontal stabilizer bar as follow:
 - a. Slide the horizontal stabilizer bar "A" (8) into horizontal stabilizer bar "B" (9) and secure together with spring lock pin (26). **SEE FIGURE 7**

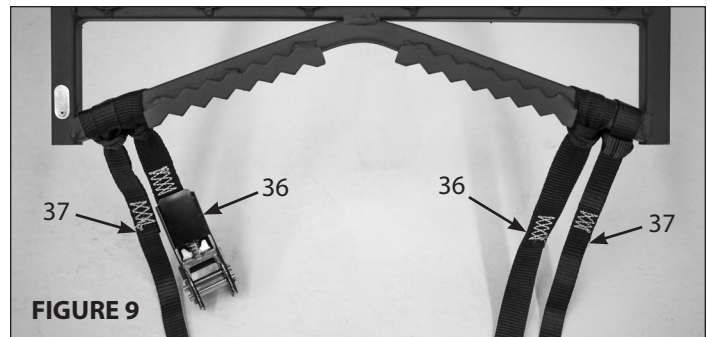
NOTE: Spring lock pin (26) must go through both the horizontal stabilizer bars at the appropriate hole to achieve the desired distance from the tree. Adjustment in length may be needed when ladder is up righted later in instructions.

 - b. Attach the forward end of the horizontal stabilizer bar assembly to a rung of the ladder using M8 x 45mm bolt (23) and M8 wing nut (29). **SEE FIGURE 7**



13. Preassemble 16' stabilizer straps (37) and 6' ratchet strap (36) as follows:

- a. Attach the two long ends of the 16' stabilizer (criss-cross) straps (37) to each side of the rear frame tube on each side of the seat platform tree blade. These long stabilizer straps should be attached by pulling the free end of the strap through the loop end of the strap to create a cinch knot around the frame tube. **SEE FIGURE 8**
- b. To aid in the ease of installation, pre-attach each end of the 6' ratchet strap (36) to each side of the rear frame tube, just inside of the 16' stabilizer straps (37) on both sides of the seat platform tree blade. Use the same method as above. **SEE FIGURE 8**. This way each end of the main ratchet strap is pre-attached before the stand is lifted from the ground. **SEE FIGURE 9** showing all four ends attached.



WARNING

- ▲ Double check assembly steps to be certain you have correctly assembled this product.
- ▲ Study your new stand to become familiar with all of its features and design. At ground level, following provided use instructions, practice attaching stand to tree and removing stand from tree. Practice sitting, standing, and using this product before attaching overhead. Save these instructions for future reference. You must always use the provided Fall Arrest System (FAS) while using this product.
- ▲ **Always** use at least three (3) people to install or take down a ladder treestand. **Always** have two people stabilize the ladder before climbing to the platform the first time after every set-up.
- ▲ Be absolutely sure the tree blade(s) on stand and the stabilizer bar are contacting tree before climbing ladder.
- ▲ Stabilizer bar must always be correctly and securely attached to ladder and tree before climbing ladder.
- ▲ Make sure ladder bottom is firmly seated on dry, level ground. Attach your harness tether to the tree before securing the platform to the tree and stepping onto platform. Refer to the Full Body Harness instructions.
- ▲ **Always** lean forward as you climb and attach your harness to the tree before securing the platform to the tree and stepping onto the platform.

WARNING

- ▲ **Never** ascend or descend ladder without criss-cross straps/ropes securely holding ladder to tree and stabilizer bar securely attached. Failure to correctly perform these steps can cause the ladder to collapse/buckle-over backwards during the initial ascent to attach ratchet strap resulting in serious injury or death.
- ▲ **Always** maintain three (3) points of contact when climbing a ladder treestand. Proper three-point contact means having either two feet with one hand or one foot with two hands on the step portion of the ladder or climbing aid at all times.
- ▲ **Always** wear the appropriate footwear when using a ladder treestand. A good non-slip safety boot is important to your personal safety. Be especially careful that boot laces do not get hooked on the stand or any of its components (tuck shoelaces into boots before climbing).
- ▲ **Never** stand on seat, it is designed for sitting only.
- ▲ **Do Not** allow excessive strap buildup in ratchet as this will prevent the ratchet teeth from engaging causing slippage.
- ▲ **Always** attach ratchet straps securely while using this product!

SET-UP AND USE INSTRUCTIONS

During installation and removal of ladder treestands, you must always and properly use the included Full Body Harness (Fall Arrest System). Refer to the Full Body Harness instructions included with this product for proper use.

1. With assembled product lying on the ground, **position one person at bottom end of ladder.** This person has to prevent the ladder end from tilting up when platform end is lifted and prevent the ladder from skidding across ground.
2. Position two people at the platform end of the ladder to lift the platform end. Upright stand by walking toward bottom end of ladder and moving hands along ladder legs. **Stand ladder up against chosen straight tree on dry, level ground.** Use caution when ladder comes over center against tree.
3. Step back and look at ladder top to see that it is level. Adjust as needed to achieve a level platform at top. Make sure the tree blade is contacting the tree.
4. Step down hard on bottom step to push ladder legs into the ground.
5. While two people hold the stand in place, the third person should connect the Horizontal Stabilizer Bar to the tree. The Horizontal Stabilizer Bar should be attached to the ladder at the highest ladder rung reachable from the ground. Refer back to the Assembly Instructions and **FIGURE 7** if an adjustment is needed. Once the Horizontal Stabilizer Bar properly secured to the ladder, secure it to the tree with the 6' cam strap (35) by forming a cinch knot with both ends of the strap. **SEE FIGURES 10 AND 11**
6. Loop the buckle end of the two 16' stabilizer (criss-cross) straps (37) through the loop end to form a cinch knot around the ladder column tube. Secure beneath a step rung, at the highest point reachable from the ground. **SEE FIGURE 12A**
7. With the stand level and being held in place by two people, the third person must cross one of the 16' stabilizer straps (37) behind the tree and feed the free end through the opposite buckle. **SEE FIGURE 12B-E**
8. Criss-cross the other 16' stabilizer strap (37), forming an "X" pattern on the back of the tree and feed the free end through the opposite buckle. **SEE FIGURE 12B-E**
9. Next, pull the tension snug to hold the tree blade of the treestand firmly against the tree, but not bowing the ladder section.
10. This ground level ladder-to-tree attachment will prevent the ladder from pulling away from the tree while ascending to top for final 6' ratchet strap (36) attachment. The same holds true when ladder is removed.

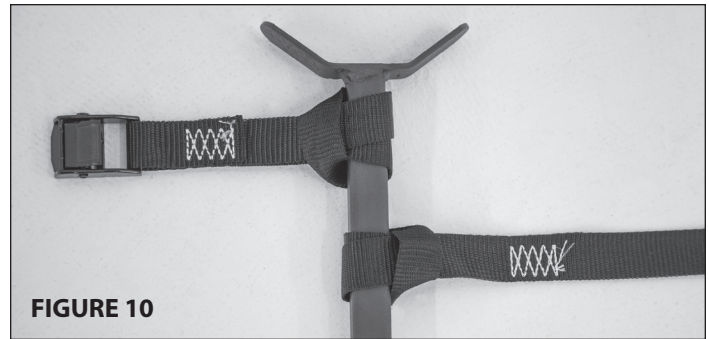


FIGURE 10



FIGURE 11

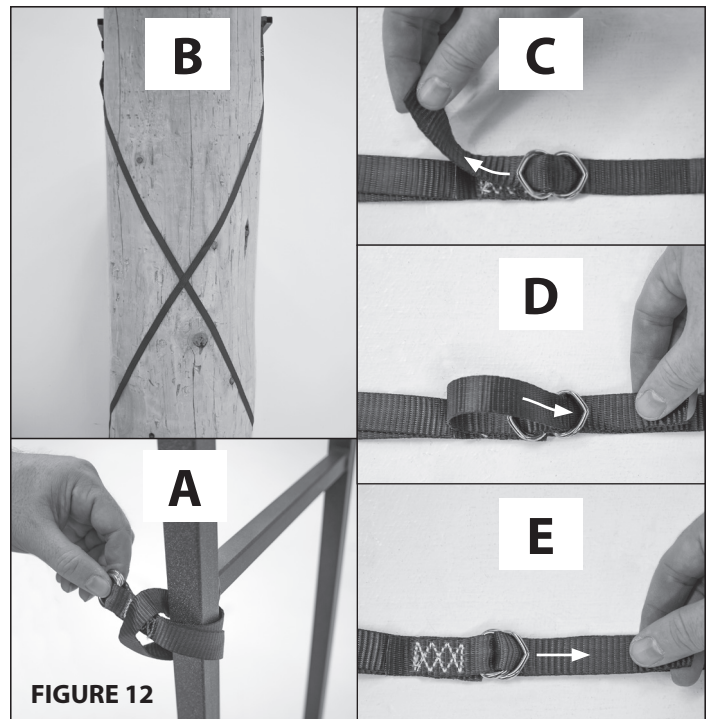


FIGURE 12

11. With two people securely holding the ladder, the third person must now use the three point contact climbing method to slowly climb the ladder. Make sure to keep a constant hand grip on the ladder at all times. Always lean forward, toward the tree, to keep the platform tree blade against the tree.

NOTE: Make sure the ladder bottom is firmly seated on dry, level ground. Attach your harness tether to the tree before securing the platform to the tree and stepping onto platform. Refer to the Full Body Harness instructions included with this product.

12. Standing on ladder step, lean toward tree with previously installed 6' ratchet strap (36) now in hand.
- Wrap the previously installed end of the long strap around the tree and feed through the slot in the ratchet mechanism. **SEE FIGURE 13**
- NOTE: Be sure to feed the long strap correctly so there are no twists in the strap.**
- Pull tail of long strap until most of the slack is taken out. Be sure entire strap is even and at the same level all around tree. **SEE FIGURE 13**
 - Use the ratchet to tighten the strap to tree. The tightened strap will stabilize the stand to tree and prevent movement. **SEE FIGURE 13**

NOTE: Make sure there is at least two full revolutions of strap on the ratchet spool before the strap tightens. Proper tension will ensure the stand is secured to the tree. Do not allow excessive strap to build up in the ratchet as this will prevent the ratchet teeth from engaging and can cause slippage.

To release ratchet, simply pull the release lever and open tightening lever wide open (flat).

13. If necessary, re-check and adjust the 6' ratchet strap (36), 16' stabilizer straps (37) and horizontal stabilizer bar assembly to securely attach the treestand to the tree. The tree blade must be touching the tree.
14. Attach the backrest portion of the seat cushion by securing the bungee cord around the tree.
15. Reverse setup and use instructions to take ladder down.

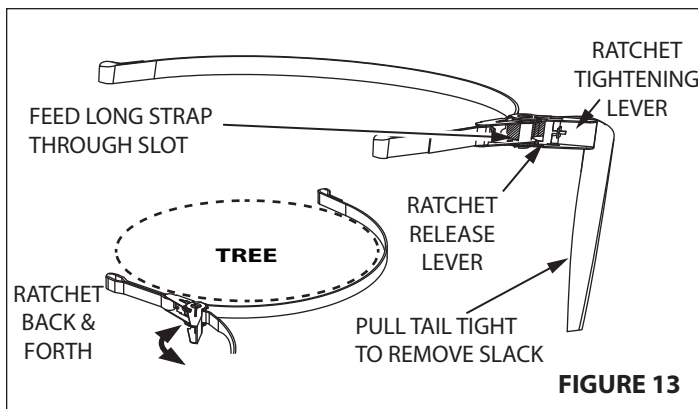


FIGURE 13

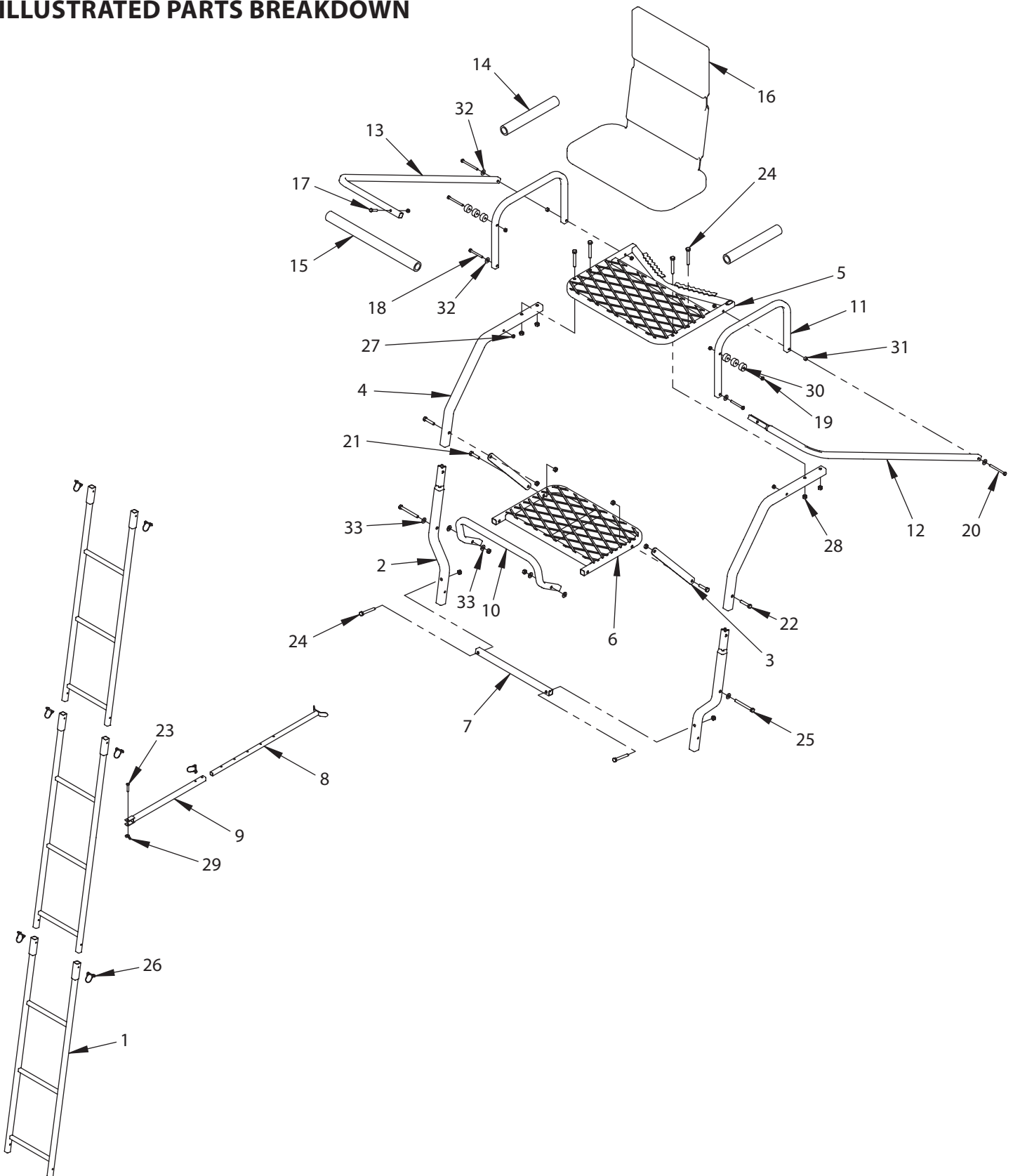
! WARNING

- ▲ **Never** ascend or descend ladder without criss-cross straps/ropes securely holding ladder to tree and stabilizer bar securely attached. Failure to correctly perform these steps can cause the ladder to collapse/buck-over backwards during the initial ascent to attach ratchet strap resulting in serious injury or death.
- ▲ If seat is removable, be certain it is securely attached when in use.
- ▲ Some models include a shooting rail. **Never** lean against, lean over, or sit on shooting rail. It is designed as a shooting rest only. **Always** be aware that the shooting rail can swing to one side or pivot up and down.
- ▲ Some models include a footrest, which is designed as a footrest only. **Never** stand on footrest! **Always** be fully aware of foot placement.
- ▲ Some models include a multi-piece stabilizer bar system. Be sure attachment hardware goes through both the extension tube and the stabilizer bar.

! WARNING

- ▲ **Only** use approved RETI parts. Failure to do so may result in serious injury or death!

ILLUSTRATED PARTS BREAKDOWN



ILLUSTRATED PARTS LIST

ITEM #	PART #	DESCRIPTION	QTY.
1	23704	LADDER SECTION	3
2	23702	FLARED PLATFORM RAIL	2
3	23701	SUPPORT BAR	2
4	23700	SEAT SIDE RAIL	2
5	23696	SEAT PLATFORM	1
6	23697	FOOT PLATFORM	1
7	23703	TOP LADDER RUNG	1
8	23698	STABILIZER BAR "A"	1
9	23699	STABILIZER BAR EXTENSION "B"	1
10	23705	FOOTREST	1
11	23706	ARMREST	2
12	23707	SHOOTING RAIL "A"	1
13	23708	SHOOTING RAIL "B"	1
14	48736	ARMREST COVER	2
15	48737	SHOOTING RAIL COVER	1
16	23709	SEAT/BACKREST CUSHION	1
17	22588	M6 X 30MM BOLT	1
18	22587	M6 X 55MM BOLT	2
19	22748	M6 X 65MM BOLT	2
20	22586	M6 X 70MM BOLT	2
21	22551	M8 X 35MM BOLT	2
22	22546	M8 X 40MM BOLT	2
23	22549	M8 X 45MM BOLT	1
24	22336	M8 X 60MM BOLT	6
25	22585	M8 X 80MM BOLT	2
26	19847	6MM X 50.8MM ROUND LOCKPIN	7
27	11499	M6 NUT	7
28	22339	M8 NUT	12
29	22659	M8 WING NUT	1
30	10347	PLASTIC SPACER	6
31	MK036-6004	THICK POLYMER WASHER	2
32	23572	YELLOW WASHER 6.5MM X 19MM X 2MM	4
33	23523	YELLOW WASHER 8.1MM X 19MM X 2MM	6

ITEMS BELOW ARE NOT SHOWN			
34	02-BHFAS1-010	SAFETY HARNESS / FALL ARREST SYSTEM	1
35	MK021-1401	6' CAM BUCKLE STRAP	1
36	MK011-1601	6' RATCHET STRAP	1
37	MK034-4511	16' STABILIZER STRAP	2
38	99-SAFE09-DVD	TREE STAND SAFETY DVD	1

Maximum Height - 16' 5" to shooting rail
(Never extend this stand beyond this maximum use height)

Single User Maximum Field Rating - 300 lb
(This is the maximum combined total weight of the user, their clothing, and gear while on the ladder, platform and/or seat)
No more than one person should occupy any part of this stand at any time.

Tree Diameter Range - 12" to 20"
(Select only strong, healthy trees that are straight with no loose bark)



Rivers Edge® Treestands, Inc.
1160 Eighth Avenue, PO Box 755
Cumberland, WI 54829
800-450-EDGE (3343) | Fax 715-822-2124
Email: info@huntriversedge.com