



EXPLODED VIEW & PARTS LIST

Model 1088 BB & Pellet Repeater .177cal. Black or Silver



Includes information for variant models 1088S and 1088M

Manufacture Dates: See Parts List

Last Update 7/11/12

CROSMAN CORPORATION
7629 ROUTES 5 & 20
BLOOMFIELD, NY 14469
Phone: 1-800-724-7486
Parts Order Fax: 585-657-5405
www.crosman.com

- This EVP and parts list is intended to be an informational guide in ordering parts. It is not instructional material and we therefore assume no responsibility for those who use the same without proper factory training.
- Please order by part number and description.
- Check or money order for the total price must accompany the order.
- For current prices contact Crosman Corporation at 1-800-724-7486 or visit our website www.crosman.com

PARTS LIST FOR 1088 MODELS (1088BAK, 1088BG, 1088M, 1088S)

Manufacture Dates: See below

	PART NUMBER	DESCRIPTION
1	1088-002	Frame, Right (Black)
2	1088-001	Frame, Left (Black)

3-10 Shroud Assembly Parts (#60)

3	1088-003	Shroud, Left (Black)
4	1088-004	Shroud, Right (Black)
5	106-015	Pawl, Index
6	106-016	Spring, Index
7	10352	Latch
8	106-020	Spring, Latch
9	1088-008	Barrel (1088)
	1088M-008	Barrel (1088M Only)
10	106-014	Lever, Index

11-22 Valve Assembly Parts (#59)

11	106D009	Valve Body
12	1077-053	Washer
13	2200-045	Valve Spring
14	40A028	Valve Stem, Uncoated
15	106-005	Valve O-Ring
16	130-034	O-Ring, Seal .504.364.0
17	2-150	Assy, Puck
18	10604	Ring, Retaining
19	38-028	Filter Screen, Brass
20	T4-041	Piercing Pin
21	38-128	Seal, End .515 .170 .14
22	338-041	Guide Collar, Valve

23-26 Piercing Bracket Assembly Parts (#58)

23	106-012	Bracket, Piercing
24	106-060	Screw, Piercing
25	357-014	Lever, Pistol Ext Stl
26	357-013	Pin, SPCL .125 DIA .740

27	106-050	Pin, Pivot
28	106-051	Pin, Sear Pivot
29	106-021	Spring, Shroud
30	106-033	Assy, Hammer
35	106-047	Sear
36	106-049	Spring, Sear
37	106-032	Assy, Trigger
40	106A034	Link, Safety
41	106-031	Spring, Trigger
42	106A029	Safety

	PART NUMBER	DESCRIPTION
43	106A045	Interlock
44	2210SB-048	Spring, Interlock
47	1088-102	Grip Assembly Right
50	1088-101	Grip Assembly Left
51	1088A007	Sight, Rear
52	2-041	Screw, Frame Long (4x)
53	1088-010	Screw, Set 4-40 x .250 (2x)
54	2-033	Screw, Frame Short (2x)
55	106B011	Detent
56	106A010	Detent Body
57	106A046	Spring, Detent
-	1088-005	Loader (Not shown in diagram)

Assembly Numbers

58	106-043	Piercing Bracket (23-26)
59	106B030	Valve (11-22)
60	1088-100	Shroud, Black (3-10)

1088M Unique Components (Discontinued)

9	1088M-008	Barrel (1088M Only)
20	38A027	Pin, Spcl .500 DIA .177

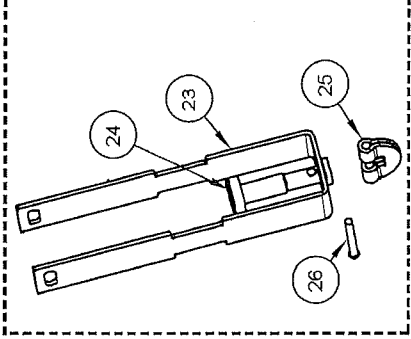
1088S Unique Components (Discontinued)

1	1088S-002	Frame, Right (Silver)
2	1088S-001	Frame, Left (Silver)
3	1088S-003	Shroud, Left (Silver)
4	1088S-004	Shroud, Right (Silver)
20	38A027	Pin, Spcl .500 DIA .177
60	1088S-100	Shroud Assembly (Silver)

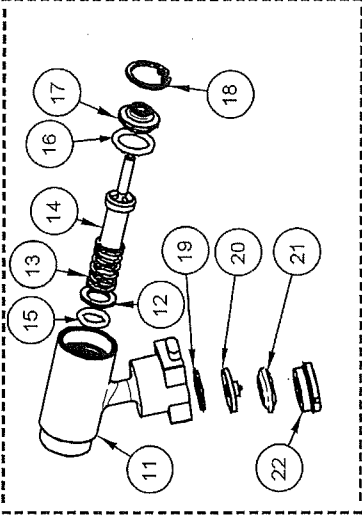
General Assembly Manufacture dates:

1088-999	5/24/06 - Present
1088M-999	4/30/10 - 5/14/10
1088S-999	5/17/06 - 5/14/10

INDIVIDUAL PARTS OF ASSEMBLY 58



INDIVIDUAL PARTS OF ASSEMBLY 59



INDIVIDUAL PARTS OF ASSEMBLY 60

